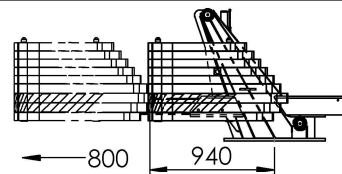
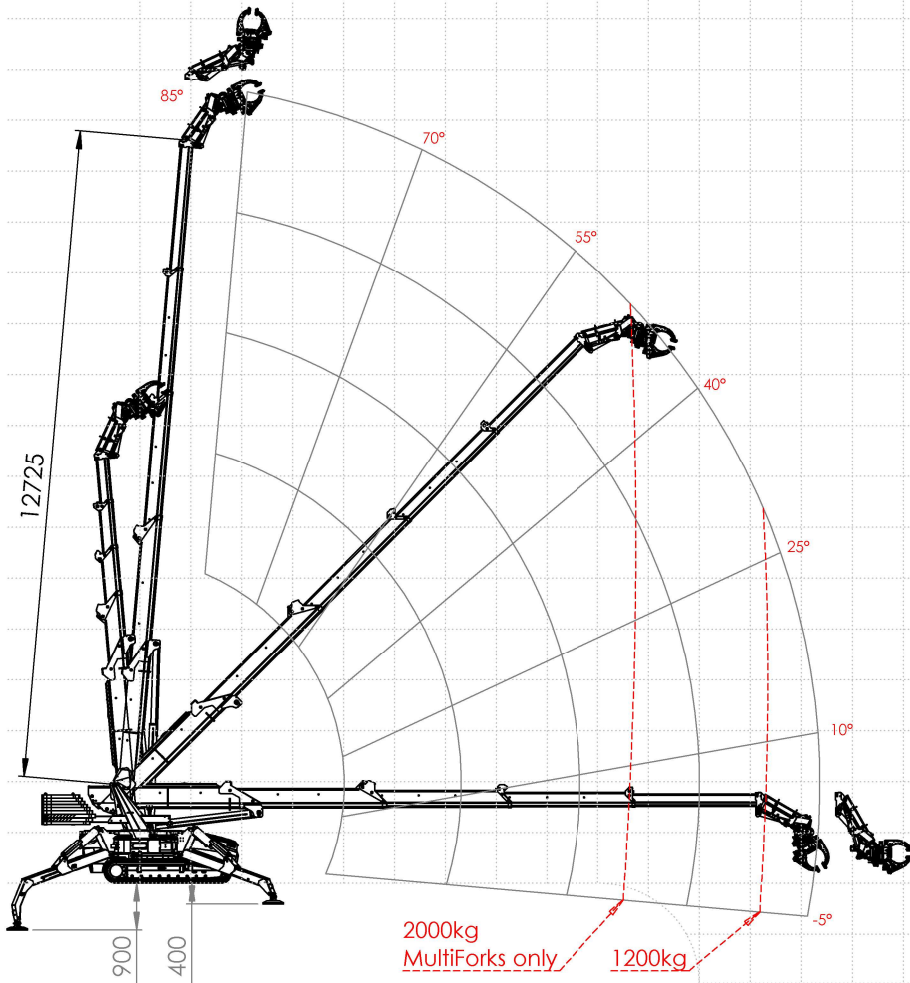
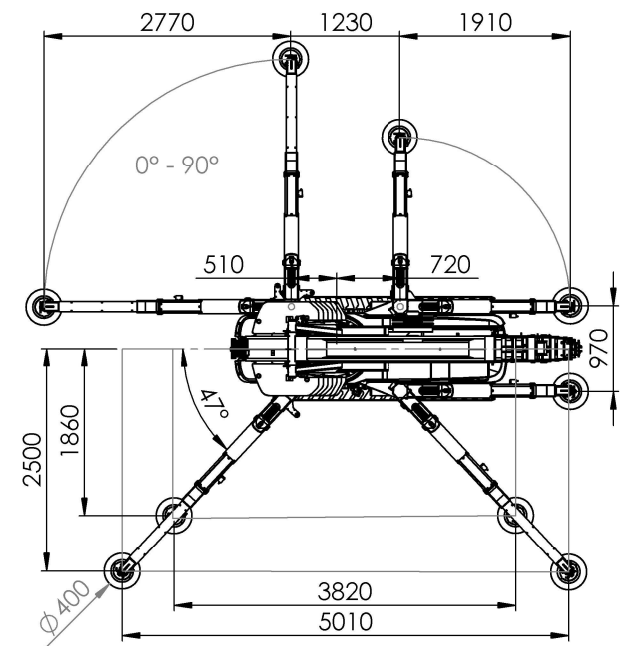


HOEFLON[®]

C30e



Max. Boom load:	9.000 kg
Max. Boom angle:	85°
(95° only at boomlength <6.5 m)	
Max. Fly-jib load:	3.000 kg
Max. Fly-jib angle:	60°
Fly-jib mass:	570 kg
Max. winch cable force:	1.000 kg
Cable lenght:	40 m
Max. Outrigger force:	8.900 kg
Counterweight mass:	2.160 kg
Wind force:	6 (40 km/h)
Load surface	1,2 m2/ton
Machine mass, without Jib:	8.250 kg



Remarks:

- Crane should only be used by schooled operators
- Crane must be placed on firm grounds

0 5 10 15 20 m