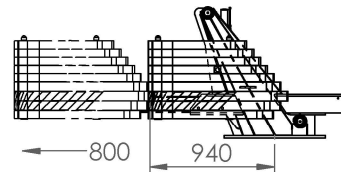
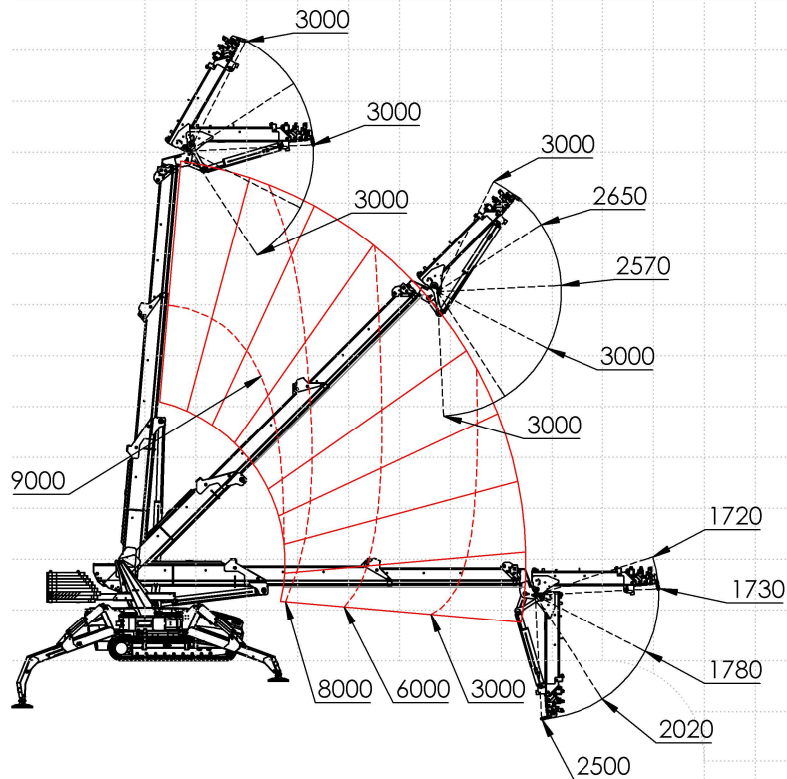
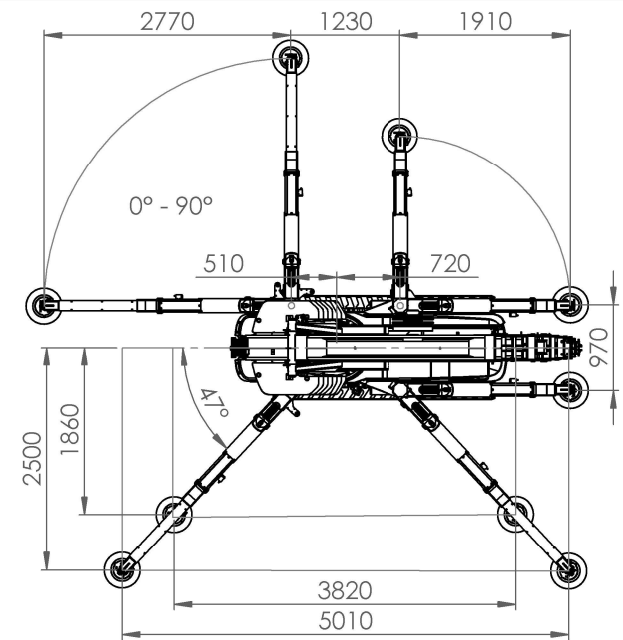


# HOEFLON<sup>®</sup> C30e



Max. Boom load:	9.000 kg
Max. Boom angle:	85°
Max. Fly-jib load:	3.000 kg
Max. Fly-jib angle:	60°
Fly-jib mass:	570 kg
Max. Outrigger force:	8.900 kg
Counterweight mass:	2.160 kg
Wind force:	6 (40 km/h)
Load surface	1,2 m <sup>2</sup> /ton
Machine mass, without Jib:	8.250 kg



< 1,16 m >	+ 0.18 m	+ 0.40 m
< 1,86 m >	+ 0.70 m	+ 0.90 m

0 5 10 15 20 m