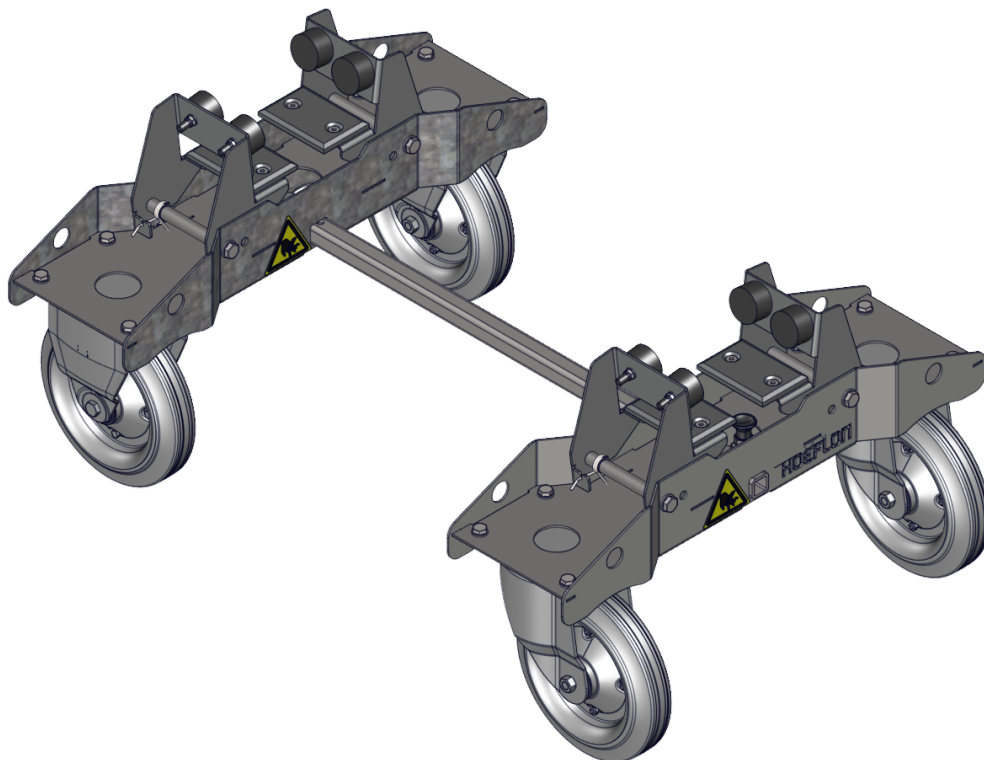


User Guide

JT600 Jib trolley



Original instructions

Serial no.:

Delivery date:

Reference: U.JT.00.00.EN

Version: 1.0

Table of Contents

Revision control	i
Property rights	i
Preface	ii
General terms & conditions	ii
Warranty and liability	ii
Target audience	iii
Warning icons	iii
Structure of the user manual	iii
1. Introduction	1
1.1 Intended use	1
1.2 Unintended use	1
1.3 EC Declaration	1
1.4 Type plate	1
2. Safety	3
2.1 Introduction	3
2.2 Personnel	3
2.3 During setup	4
2.4 Using the trolley	4
2.5 Pictograms	4
3. Technical data	7
3.1 Specifications	7
3.2 Dimensions	7
4. Description	9
4.1 Main components	9
5. Installation	11
5.1 Configuration	11
5.2 Adjust the width of the clamps	12
5.3 Set the length of the trolley	13
6. Operation	15
6.1 Put a jib in the trolley	15
6.2 How to use the trolley	16
7. Maintenance	17
8. Troubleshooting	19
8.1 Troubleshooting the trolley	19

9. Transport and storage **21**
 9.1 Putting the trolley in storage21
10. Disposal **23**

REVISION CONTROL

Revision	Publication date	Comments	From serial number
1.0	01-07-2024		2000-1896

MANUFACTURER

Hoeflon International B.V.
Zwolleweg 2
3771 NR Barneveld
www.hoeflon.com

General inquiries

T: +31(0) 342 400 288
E: info@hoeflon.com

Technical support

E: support@hoeflon.com

PROPERTY RIGHTS

All rights reserved. No part of this publication may be reproduced, kept in a storage system, or transmitted in any form or by any means (electronically or mechanically, including photocopying, recording or otherwise) without the prior written permission of Hoeflon International B.V. This also applies to the accompanying drawings and charts.

© Copyright 2024

PREFACE

Thank you for buying the Hoeflon JT600 Jib trolley. We hope that you enjoy using it and that you will enjoy using it for many years to come.

This user manual contains the operating instructions for the Hoeflon JT600 Jib trolley. In this user manual we will refer to it as the trolley.

Read this user manual carefully to familiarize yourself with the correct operation and maintenance of the trolley. The figures in this document are for illustration purposes only and can be different from the trolley in your situation.

Hoeflon International B.V. recommends that you keep the original copy of this user manual, including all the annexes, in a safe, central place. Keep a copy of this user manual near the machine at the workplace.

General terms & conditions

In all cases, Hoeflon International B.V. delivers the machine exclusively according to the General Terms and Conditions applicable at the time of purchase. These General Terms and Conditions can be found on the website www.hoeflon.com.

Although Hoeflon International B.V. has made every reasonable effort to make sure that this user manual is as accurate and helpful as possible, Hoeflon International B.V. does not provide any guarantees with regard to the accuracy or completeness of the information provided herein.

Hoeflon International B.V. is committed to keeping the information in this user manual complete, accurate and up to date. Hoeflon International B.V. accepts no liability for the consequences of errors, except in the case of willful intent or deliberate recklessness on the part of Hoeflon International B.V..

Hoeflon International B.V. continuously develops and improves its products, we reserve the right to make changes to the technical design at any time without prior notice.

For technical support, please speak to your Hoeflon dealer or to Hoeflon Support B.V..

Warranty and liability

The Hoeflon JT600 Jib trolley conforms to the applicable basic safety and health requirements of the EU directives. It has been carefully tested for trouble-free use at the factory. If the trolley does have problems stop using the trolley and speak to your Hoeflon dealer or to Hoeflon Support B.V. immediately.

Use the trolley only for transporting a jib as told in this user manual. Do not use the trolley in any other way.

Do not use the trolley if:

Repair the trolley first.

Hoeflon International B.V. is not liable for any damage or injury resulting from:

- not obeying the instructions in this user manual,
- exceeding the factory specifications,
- not obeying the legal requirements.

Do not:

- modify the trolley,
- repair the trolley yourself,
- use unauthorized replacement parts.

Make sure that you maintain the trolley correctly as described in this user manual.

Target audience

This user guide is intended for everyone who works with or on the trolley.



Note

Make sure that you have read and fully understand the contents of the user manual of the compact crane.

Make sure that you know how to operate the compact crane.

Always stay safe in familiar and unfamiliar situations.

Warning icons

The instructions, recommendations and warnings in this user manual are accompanied by the following terms and pictograms. Read these instructions carefully.



Danger

Identifies a very dangerous situation which, if not prevented, can result in death or very bad injury.



Warning

Identifies a dangerous situation where there is a risk of bad injury.



Caution

Identifies a situation where equipment or property can be damaged; or if there is a risk of injury.



Note

Identifies important information to help you understand or adjust the equipment.

Structure of the user manual

Preface describes the purpose of the manual, general terms and conditions, warranty and liability, target audience and notes for the reader.

Introduction includes an introduction to the trolley.

Safety lists all the points the user needs to know to work safely with the trolley.

Technical data gives the dimensions and specifications of the trolley.

Description describes the main components of the trolley and the operation of its various components.

Installation gives information on attaching each component.

Operation gives operating instructions for the intended use of the trolley.

Maintenance gives information on the necessary maintenance.

Troubleshooting lists possible faults and how to solve them.

Transport and storage gives recommendations for transporting and putting the trolley in storage.

Disposal gives instructions for the disposal of the trolley.

1.

Introduction

1.1 Intended use

Only use the trolley for the standard jib of a Hoeflon C6(e), a C10(e) or a C30e compact crane.

Only use the trolley to put a jib in storage or to move a jib as described in this manual.

1.2 Unintended use

Do not use the trolley:

- to transport the jib with another vehicle,
- as a trailer behind another vehicle,
- to transport a jib 5,
- to transport a jib 9.

1.3 EC Declaration

Hoeflon International B.V. declares that the trolley conforms with the applicable European Directives. The EC Declaration of Conformity is part of the documentation which is supplied with the trolley.

1.4 Type plate

A type plate containing the machine data is attached to the trolley. Do not remove the type plate . The CE mark indicates that the trolley conforms to the applicable standards for the European Economic Area.

- Type** The type of machine
- Model** The brand of the machine
- Serial no.** The serial number of the machine
- Year** The year the machine was built
- Weight** The weight of the machine
- Max. capacity** Maximum working load



Note

Please provide the type number and serial number when ordering parts.

2.

Safety

2.1 Introduction

Make sure that you have read the manual of the compact crane and of the trolley and that you fully understand its contents.

Make sure that you understand and obey all applicable legal requirements on using before you start work.

When using the trolley:

- Obey all warnings and regulations.
- Obey all applicable national regulations about:
 - working with the trolley,
 - working conditions,
 - work safety.

Obey the general safety precautions in this chapter when using the trolley.

Always be aware of the weight of the components.

Only use the correct tools.

Keep the trolley clean.

2.2 Personnel



Note

Make sure that all personnel that works with the crane has the necessary licenses and work permits as specified by your local laws on training and equipment competence.

**Caution**

Always use approved Personal Protective Equipment (PPE).

- Hardhat
- Safety shoes
- Gloves
- Safety glasses

All operating personnel must:

- be fit to do the task.
- stay out of the operating radius of the crane.
- fully know the content of the user manual of the compact crane.
- be familiar with all the functions and attachments associated with the equipment.
- be at least 18 years of age.

Do not:

- be under the influence of narcotics or alcohol.

2.3 During setup

Use low gear and slow speed when you:

- put a jib in the trolley.
- remove a jib from the trolley.



Make sure that the trolley is on a flat and level surface.

Make sure that the breaks are engaged before putting or removing a jib from the trolley.

2.4 Using the trolley


Only use the trolley to temporarily put a jib in storage.

Do not put a trolley that is transporting a jib on a transport vehicle.

Do not tow a trolley if it contains a jib.

2.5 Pictograms

The pictograms used are shown below. Do not remove them. Replace a missing or damaged pictogram immediately!

Pictogram	Meaning	Location
	Warning for entrapment hazard	At the front and the rear of the two frames. Next to the extension bar.

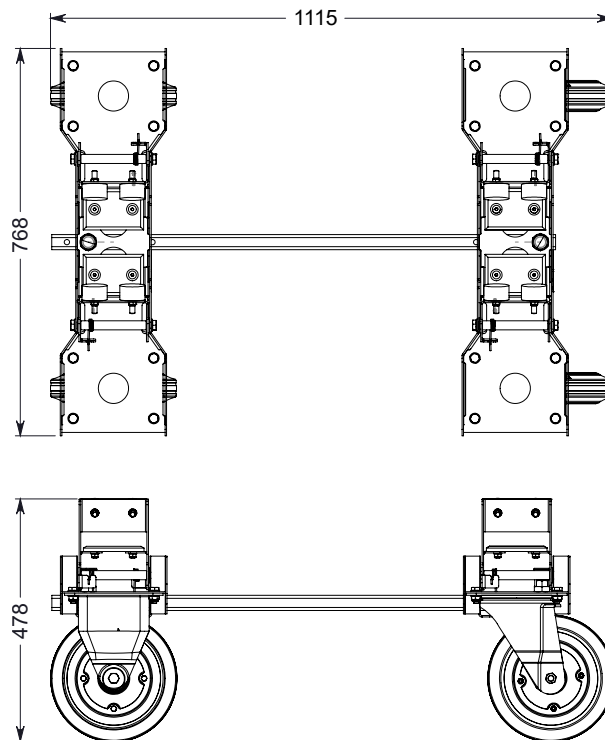
3.

Technical data

3.1 Specifications

Weight	45 kg
--------	-------

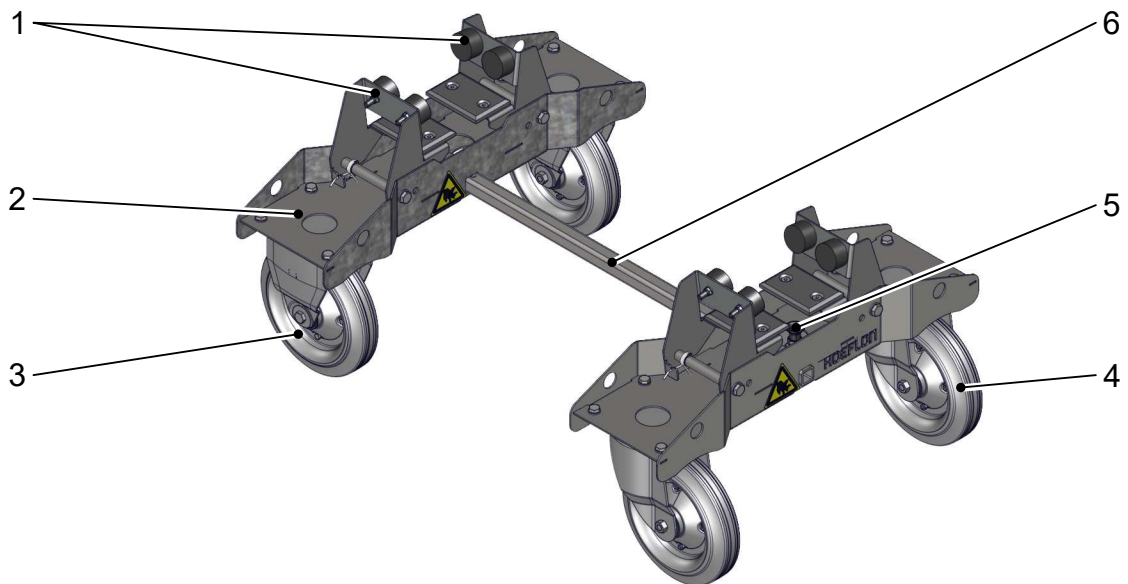
3.2 Dimensions



4.

Description

4.1 Main components



- 1. Jig clamp
- 2. Frame
- 3. Fixed wheel

- 4. Swivel wheel
- 5. Length adjustment
- 6. Spine

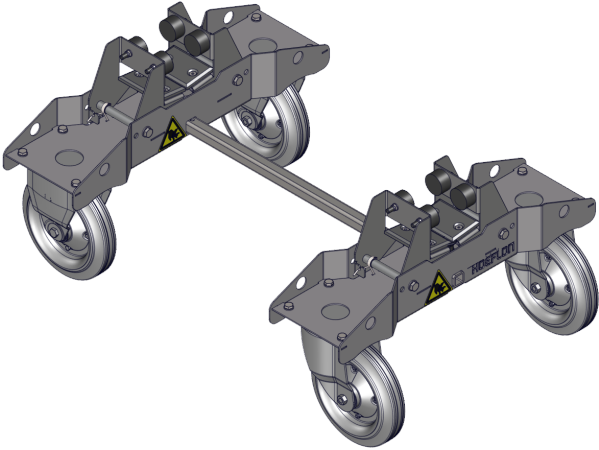
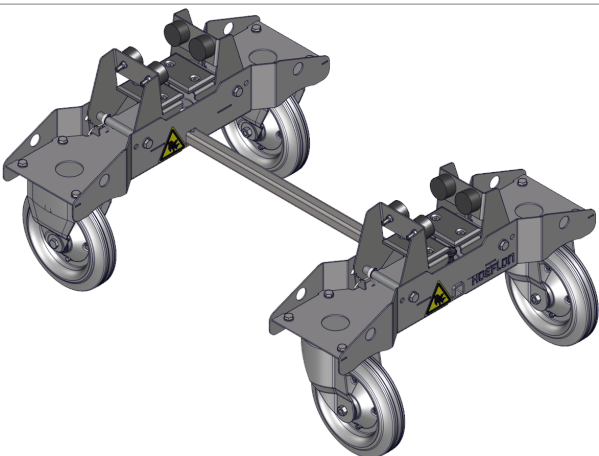
5.

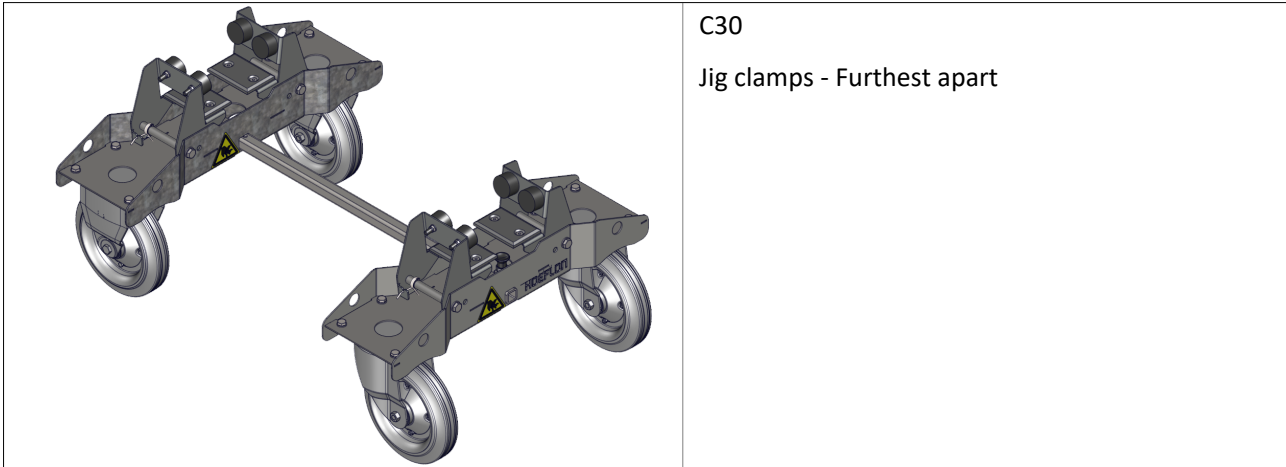
Installation

5.1 Configuration

Adjust the width of the trolley to fit your jib.

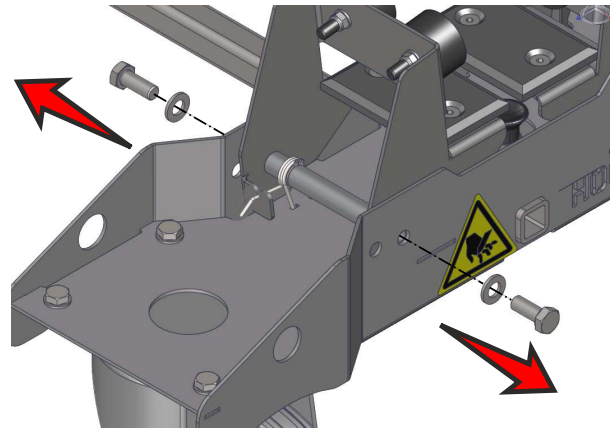
Only use the outer holes in the spine to set the length.

 A 3D perspective diagram of the JT600 Jib trolley. The trolley consists of two main metal plates connected by a central horizontal spine. Each plate has two wheels. The diagram shows the trolley from a side-on perspective, highlighting the adjustment points on the spine. The spine has several holes, and the diagram indicates that the outermost holes should be used for length adjustment. The trolley is shown in a slightly angled position to show its profile.	<p>C6</p> <p>Jig clamps - Closest together</p>
 A 3D perspective diagram of the JT600 Jib trolley, identical in design to the one above. It shows the two metal plates, the central spine, and the four wheels. The diagram is a side-on view, showing the adjustment points on the spine. The trolley is shown in a slightly angled position to show its profile.	<p>C10</p> <p>Jig clamps - Closest together</p>



5.2 Adjust the width of the clamps

1. Remove the bolts and the rings that hold the clamp in position.



Note

Springs hold the clamp in position. The clamp may move in an unexpected manner.

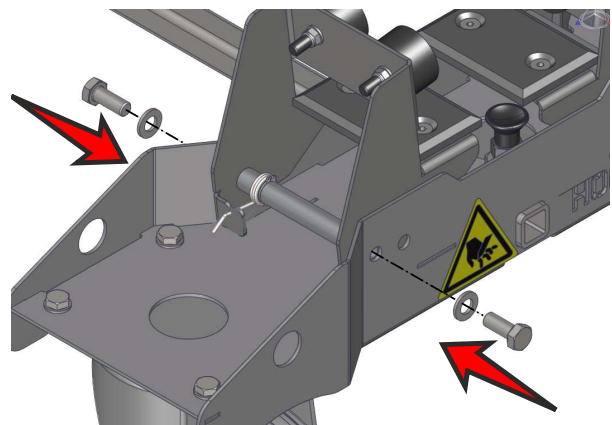
2. Move the clamp outwards (or inwards) to the other set of holes.



Note

There is a ring at each end of the shaft. Make sure that they stay on the shaft.

3. Push the clamp so that the holes align.
4. Put the bolts back and tighten them.
5. Do steps 1 thru 4 again with the other clamp.



**Note**

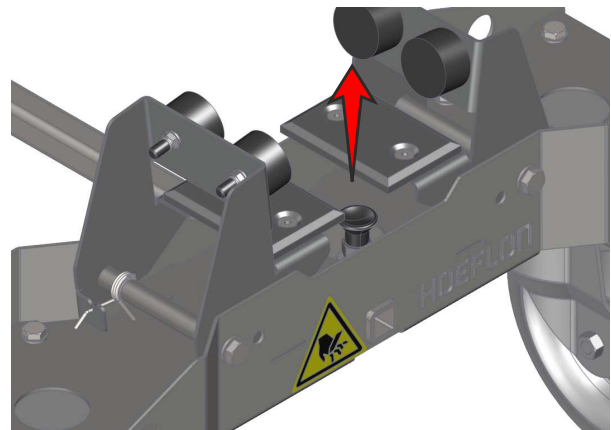
Make sure that the spring engages correctly.

5.3 Set the length of the trolley

**Note**

Only use the outer holes in the spine to set the length.

1. Pull the pin between the two clamps UP.
2. Move the frame so that the pin aligns with the hole closest to the end of the spine (see 5.1 Configuration)
3. Release the pin.

**Note**

Make sure that the pin fully engages in the locking hole.

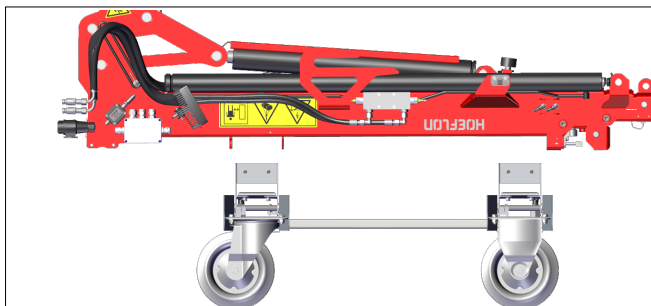
6.

Operation

6.1 Put a jib in the trolley

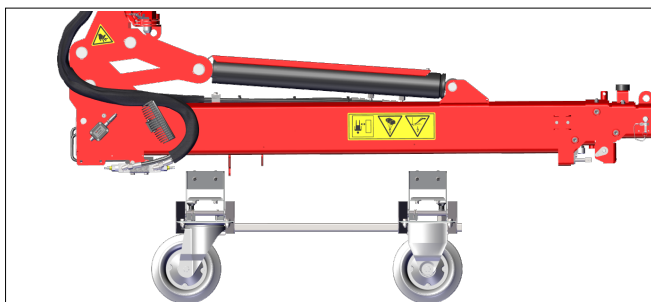
1. Extend the boom
2. Fully turn the jib down.
3. Put the trolley under the jib.

C6



The end of the trolley goes between the two brackets.

C10

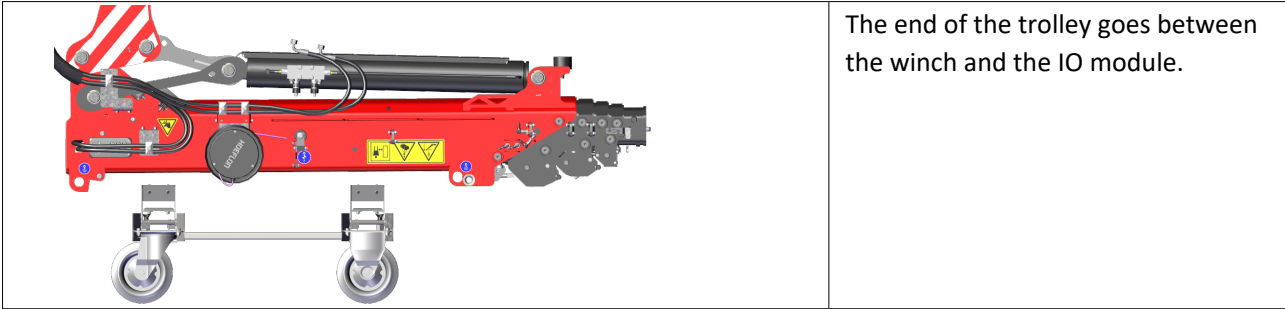


The end of the trolley goes between the brackets and the worklamp.



Caution

Be careful with the hydraulic hoses.

C30

4. Slowly lower the jib into the trolley
5. Refer to the user manual of your crane to remove the jib from the crane.
6. Raise the boom

6.2 How to use the trolley

Only use the trolley to:

- put a jib in storage,
- move a jib around the work area.

Do not:

- put a trolley that contains a jib on a transport vehicle,
- tow a trolley when it contains a jib.

7.

Maintenance

There is no necessary maintenance for the trolley.

Make sure that the trolley is clean.

8.

Troubleshooting

8.1 Troubleshooting the trolley

Malfunction	Possible cause	Solution
You cannot move the locking pin to adjust the length of the trolley.	The locking pin is dirty.	Fully clean the locking pin.
A wheel does not turn.	The wheel is broken.	Replace the wheel.

9.

Transport and storage

9.1 Putting the trolley in storage

1. Fully clean the trolley.
2. Repair all damaged paintwork.
3. Apply a thin layer of grease to the parts that may rust.
4. Keep the trolley in a dry and cool area with good airflow.
5. Make sure that only approved persons are permitted to enter the storage area.

10.

Disposal



Note

Refer to local regulations when you discard waste material.

There are no dangerous, harmful or environmentally hazardous materials in the trolley.

Take the trolley to your local recycling station when it is no longer serviceable.

