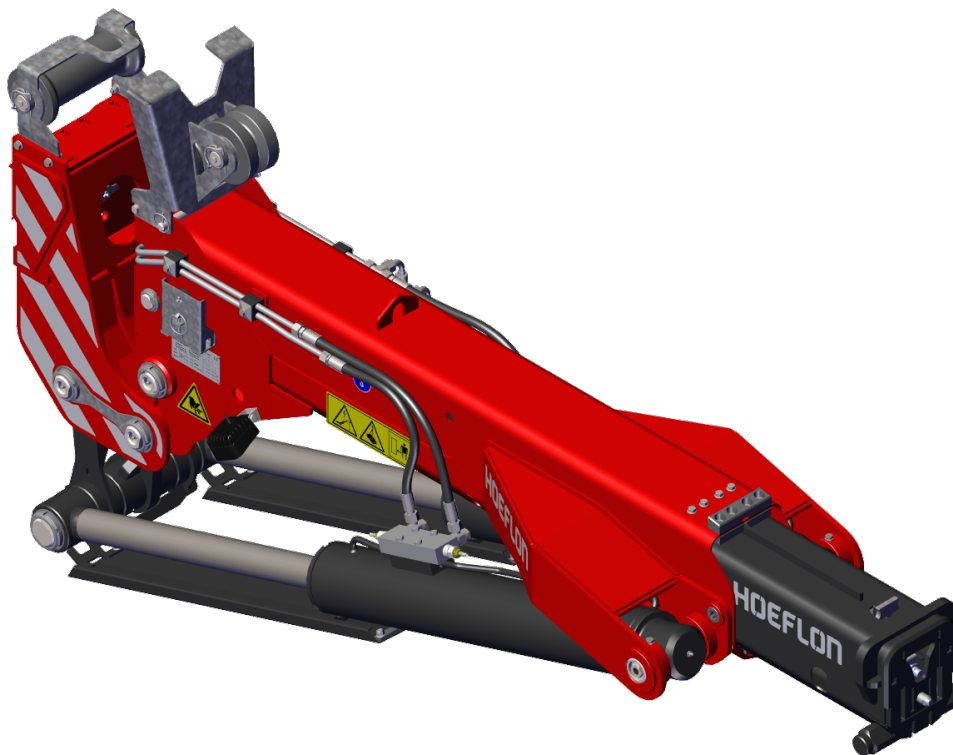


## User Manual

### Jib 5



---

Original instructions

Serial no.:

Delivery date:

Reference: U.Jib5.00.00.EN

Version: 1.0



---

# Table of Contents

Revision control .....	i
Property rights .....	i
Preface .....	ii
General terms & conditions .....	ii
Warranty and liability .....	ii
Target audience .....	iii
Warning icons .....	iii
Structure of the user manual .....	iv
<b>1. Introduction .....</b>	<b>1</b>
1.1 Intended use .....	1
1.2 Unintended use .....	1
1.3 EC Declaration .....	1
1.4 Type plate .....	1
<b>2. Safety .....</b>	<b>3</b>
2.1 Introduction .....	3
2.2 Personnel .....	3
2.3 Work environment .....	4
2.4 While working .....	5
2.5 During lifting .....	6
2.6 After work .....	7
2.7 Pictograms .....	7
<b>3. Technical data .....</b>	<b>9</b>
3.1 Specifications .....	9
3.2 Dimensions - Jib - No attachments .....	10
3.3 Dimensions - Lifting adapter and hook adapter .....	10
3.4 Dimensions - Lifting adapter with the winch head and the hook .....	11
<b>4. Description .....</b>	<b>13</b>
4.1 Main components .....	13
4.2 Main components - Lifting adapter .....	14
4.3 Main components - Winch head .....	15
<b>5. Installation .....</b>	<b>17</b>
5.1 Installing the jib .....	17
5.2 Removing the Jib .....	19
5.3 Attaching the 8 ton hook between the lifting cylinders .....	20
5.3.1 Install the RFID tag .....	20

5.3.2 Install the 8 ton hook .....	21
5.4 Attaching the lifting adapter .....	22
5.5 Attaching the hook on the lifting adapter .....	22
5.6 Attaching the hook adapter and the hook .....	23
5.7 Attaching the hook adapter - Upside down .....	24
5.8 Attaching the hook adapter so that it turns freely .....	24
5.9 Preparing the crane for use with the winch .....	25
5.9.1 Installing the winch head in the 0° (low) position .....	25
5.9.2 Installing the winch head in the 30° (high) position .....	26
5.9.3 Installing the winch head so that it turns freely .....	27
5.10 Routing the cable through the winch head .....	28
5.10.1 If the winch angle is 30° .....	28
5.10.2 If the winch angle is 0° .....	29
5.10.3 If the winch can turn freely .....	30
5.11 Winching with the jib (1x reeving) .....	30
5.11.1 Preparing the winch cable .....	30
5.11.2 Attaching the hook block .....	31
5.12 Winching with the jib (2x reeving) .....	34
5.12.1 Preparing the winch cable .....	35
5.12.2 Connecting the cable .....	36
5.12.3 Attaching the hook block with 2 x reeving .....	36
5.13 Winching with the jib (4x reeving) .....	40
5.13.1 Preparing the winch cable .....	40
5.13.2 Preparing the winch cable for 4 x reeving .....	41
5.13.3 Connecting the cable .....	42
5.13.4 Attaching the hook block with 4 x reeving .....	42
<b>6. Operation .....</b>	<b>47</b>
6.1 Remove the stand .....	47
6.2 Lifting with the jib .....	48
6.2.1 Controls .....	48
6.3 Lifting with the jib and the winch .....	48
6.3.1 Controls .....	49
6.4 Maximum angles of the jib to horizontal .....	49
6.4.1 Winch head in lifting adapter .....	49
6.4.2 Hook adapter in lifting adapter .....	50
6.4.3 Hook in lifting adapter .....	50
<b>7. Maintenance .....</b>	<b>51</b>
7.1 Introduction .....	51
7.2 Maintenance work .....	51
7.2.1 First use .....	52

7.2.2 Scheduled servicing .....	52
7.3 Daily inspection of the jib .....	52
7.4 Maintenance schedule .....	52
7.4.1 Lubrication chart .....	53
7.5 Lubricate the inside of the main section .....	53
<b>8. Troubleshooting .....</b>	<b>55</b>
8.1 Troubleshooting the jib .....	55
<b>9. Transport and storage .....</b>	<b>57</b>
9.1 Transporting the crane .....	57
9.2 Transporting the jib .....	57
9.3 Lifting the jib .....	58
9.3.1 Removing the jib from the crane .....	58
9.3.2 Lifting the jib after it is removed off the crane .....	59
9.4 Putting the jib in storage .....	59
<b>10. Disposal .....</b>	<b>61</b>
<b>Appendix .....</b>	<b>63</b>
8.1 Load chart - Lifting hook on the main section .....	63
8.2 Load chart - Lifting hook on the hook adapter .....	64



## REVISION CONTROL

Revision	Publication date	Comments	From serial number
2.0	01-04-2025		2002 4659 JIB5

### MANUFACTURER

Hoeflon International B.V.  
Zwolleweg 2  
3771 NR Barneveld  
[www.hoeflon.com](http://www.hoeflon.com)

#### General inquiries

T: +31(0) 342 400 288  
E: [info@hoeflon.com](mailto:info@hoeflon.com)

#### Technical support

E: [support@hoeflon.com](mailto:support@hoeflon.com)

## PROPERTY RIGHTS

All rights reserved. No part of this publication may be reproduced, kept in a storage system, or transmitted in any form or by any means (electronically or mechanically, including photocopying, recording or otherwise) without the prior written permission of Hoeflon International B.V. This also applies to the accompanying drawings and charts.

© Copyright 2025

## **PREFACE**

Thank you for buying the Hoeflon Jib 5. We hope that you enjoy using it and that you will enjoy using it for many years to come.

This user manual contains the operating instructions for the Hoeflon Jib 5. In this user manual we will refer to it as the jib.

Read this user manual carefully to familiarize yourself with the correct operation and maintenance of the jib. The figures in this document are for illustration purposes only and can be different from the jib in your situation.

Hoeflon International B.V. recommends that you keep the original copy of this user manual, including all the annexes, in a safe, central place. Keep a copy of this user manual near the machine at the workplace.

You must fully understand how to use the compact crane before using the jib with the compact crane.

## **General terms & conditions**

In all cases, Hoeflon International B.V. delivers the machine exclusively according to the General Terms and Conditions applicable at the time of purchase. These General Terms and Conditions can be found on the website [www.hoeflon.com](http://www.hoeflon.com).

Although Hoeflon International B.V. has made every reasonable effort to make sure that this user manual is as accurate and helpful as possible, Hoeflon International B.V. does not provide any guarantees with regard to the accuracy or completeness of the information provided herein.

Hoeflon International B.V. is committed to keeping the information in this user manual complete, accurate and up to date. Hoeflon International B.V. accepts no liability for the consequences of errors, except in the case of willful intent or deliberate recklessness on the part of Hoeflon International B.V..

Hoeflon International B.V. continuously develops and improves its products, we reserve the right to make changes to the technical design at any time without prior notice.

For technical support, please speak to your Hoeflon dealer or to Hoeflon Support B.V..

## **Warranty and liability**

The Hoeflon Jib 5 conforms to the applicable basic safety and health requirements of the EU directives. It has been carefully tested for trouble-free use at the factory. If the jib does have problems stop using the jib and speak to your Hoeflon dealer or to Hoeflon Support B.V. immediately.

Use the jib only for lifting loads as told in this user manual. Do not use the jib in any other way.

Do not use the jib if:

- there is a problem with the compact crane,
- it is damaged,
- there is an error,
- if there is a warning.

Repair the jib or the compact crane first.

Hoeflon International B.V. is not liable for any damage or injury resulting from:

- not obeying the instructions in this user manual,
- exceeding the factory specifications,
- not obeying the legal requirements.

Do not:

- modify the jib,
- repair the jib yourself,
- use unauthorized replacement parts.

Make sure that you maintain the jib correctly as described in this user manual.

## Target audience

This user manual is intended for everyone who works with or on the jib.



### Note

Make sure that you have read and fully understand the contents of the user manual of the compact crane.

Make sure that you know how to operate the compact crane.

Only use the jib if you are sufficiently trained and fully know how to use the compact crane and the jib. Obey your local laws on training and equipment competence. Hoeflon International B.V. can give training on how to use the compact crane and the jib.

Always stay safe in familiar and unfamiliar situations.

## Warning icons

The instructions, recommendations and warnings in this user manual are accompanied by the following terms and pictograms. Read these instructions carefully.



### Danger

Identifies a very dangerous situation which, if not prevented, can result in death or very bad injury.



### Warning

Identifies a dangerous situation where there is a risk of bad injury.



### Caution

Identifies a situation where equipment or property can be damaged; or if there is a risk of injury.



### Note

Identifies important information to help you understand or adjust the equipment.

## Structure of the user manual

**Preface** describes the purpose of the manual, general terms and conditions, warranty and liability, target audience and notes for the reader.

**Introduction** includes an introduction to the jib.

**Safety** lists all the points the user needs to know to work safely with the jib.

**Technical data** gives the dimensions and specifications of the jib.

**Description** describes the main components of the jib and the operation of its various components.

**Installation** gives information on attaching each component.

**Operation** gives operating instructions for the intended use of the jib.

**Maintenance** gives information on the necessary maintenance.

**Troubleshooting** lists possible faults and how to solve them.

**Transport and storage** gives recommendations for transporting and putting the jib in storage.

**Disposal** gives instructions for the disposal of the jib.

---

# 1.

## Introduction

---

### 1.1 Intended use

Use the jib only with a Hoeflon C30e compact crane.

The jib:

- has a higher capacity than the jib 3.

You can reeve the winch two or four times when you use the jib with the C30e compact crane (see 3. Technical data).

### 1.2 Unintended use

Do not use the jib:

- outside the permissible limits of the load chart,
- with a bypassed Rated Capacity Limiter (RCL),
- for prying, pushing or pulling,
- on cranes other than the cranes which are mentioned in chapter (see 1.1 Intended use)

### 1.3 EC Declaration

Hoeflon International B.V. declares that the jib conforms with the applicable European Directives. The EC Declaration of Conformity is part of the documentation which is supplied with the jib.

### 1.4 Type plate

A type plate containing the machine data is attached to the jib. Do not remove the type plate . The CE mark indicates that the jib conforms to the applicable standards for the European Economic Area.

<b>HOEFLON</b> ®		CE 2006/42 <b>CE</b>	
Zwolleweg 2 3771 NR Barneveld THE NETHERLANDS		tel: +31(0)342 400288 info@hoeflon.com www.hoeflon.com	
Type	<input type="text"/>	Year of Registration	<input type="text"/>
Model	<input type="text"/>		
Serial No.	<input type="text"/>	Year of Manufacture	<input type="text"/>
Weight	<input type="text"/> KG	Max. Capacity	<input type="text"/> KG

<b>Type</b>	The type of machine
<b>Model</b>	The brand of the machine
<b>Serial no.</b>	The serial number of the machine
<b>Year</b>	The year the machine was built
<b>Weight</b>	The weight of the machine
<b>Max. capacity</b>	Maximum working load

**Note**

Please provide the type number and serial number when ordering parts.

---

# 2.

## Safety

---

### 2.1 Introduction

Make sure that you have read the manual of the compact crane and the jib and that you fully understand its contents.

Make sure that you understand and obey all applicable legal requirements on using the compact crane and the jib before you start work.

When using the jib:

- Obey all warnings and regulations.
- Obey all applicable national regulations about:
  - working with the compact crane,
  - working with the jib,
  - working conditions,
  - work safety.

Make sure that all lifting equipment is correctly rated, approved and not damaged.

Obey the general safety precautions in this chapter when using the jib.

Always be aware of the weight of the components and the loads.

Only use the correct tools.

Keep the compact crane and the jib clean.

### 2.2 Personnel



#### Note

Make sure that all personnel that works with the jib has the necessary licenses and work permits as specified by your local laws on training and equipment competence.

**Caution**

Always use approved Personal Protective Equipment (PPE).

- Hardhat
- Safety shoes
- Gloves
- Safety glasses

All operating personnel must:

- be fit to do the task.
- stay out of the operating radius of the compact crane.
- fully know the content of the user manual of the jib.
- fully know the content of the user manual of the compact crane.
- be familiar with all the functions and attachments associated with the equipment.
- be at least 18 years of age.

Do not:

- be under the influence of narcotics or alcohol.

## 2.3 Work environment

Make sure that the environmental and operational conditions are safe and within limits before using the compact crane with the jib.

Put barriers and safety warnings around the perimeter of the work area. Do not let unauthorized people in the work area.

Use extra light in dark areas.

Do not smoke or make fire in the work area.

Use communication equipment and a spotter if you cannot fully view the entire work area.

Obey the height restriction in covered areas.

Do not use the jib:

- if it is not safe,
- near high voltage cables,
- in an explosive environment.

## 2.4 While working



### Caution

If you use the crane with the jib incorrectly, incorrect and high forces can permanently damage or shorten the life of the crane and the jib.



### Warning

Stop work and move the compact crane and the jib into a safe position if a safety feature stops working or becomes damaged.

Fully prepare the task.

Continuously monitor the work area.

Continuously monitor the tip of the boom or the tip of the jib and the load. Make sure that the boom, the jib and the load do not hit anything.

Do not let unauthorized people in the work area.



### Caution

Do not use the jib to:

- drag loads,
- pull loads free (such as pulling out poles),
- push loads.

Prevent dangerous situations between:

- the compact crane,
- the jib,
- the operator,
- other people,
- the load,
- the surroundings,
- the ground.

Do not:

- enter the work area during operation of the compact crane and the jib,
- let anybody enter the work area during operation of the compact crane and the jib,
- move a load over people,
- touch rotating parts,
- touch moving parts.
- put anything on the compact crane.

The lifting point on top of the jib is only intended for lifting the jib when it is removed from the crane. Do not use this lifting point for lifting a load or for securing the crane.

## 2.5 During lifting



### Caution

Refer to the load chart in the appendix for the maximum load when you use the jib.



### Caution

The boom is flexible and bends when lifting the load. The boom will spring back when the load is put down.

Always:

- Use low gear and low speed when handling a load. The LED must be OFF.
- Lift a load over its center of gravity.
- Attach the load correctly.



Do not:

- Use the jib if it is damaged or weakened.

Only move loads that:

- can move freely from the surface,
- are stable.

Make sure that there are no loose objects on:





- the crane,
- the jib,
- the load.

## 2.6 After work

- Put the crane in transport position(see the user manual of the crane).

## 2.7 Pictograms

The pictograms used are shown below. Do not remove these pictograms. Replace missing or damaged pictograms immediately.

Pictogram	Meaning	Location
	Lifting point for lifting crane and jib	On the two sides of boom and the jib.
	<ul style="list-style-type: none"> <li>• Stay away from high-voltage cables</li> <li>• Warning for hanging loads</li> <li>• Stay away from the crane</li> </ul>	On the two sides of boom and the jib.
	Label that shows when annual inspection is due (Netherlands only)	
	Warning for entrapment hazard	On the two sides of boom and the jib.



---

# 3.

## Technical data

---

### 3.1 Specifications

<b>Jib 5</b>	
Weight without attachments	500 kg
Maximum extension	1100 mm
Lifting capacity if the lifting hook is installed between the lifting cylinders	8000 kg
Weight 10 ton lifting hook	5,6 kg

<b>Lifting hook</b>	
Capacity	10 000 kg
Weight	5,6 kg

<b>Lifting adapter</b>	
Capacity with the hook connected to the eye of the lifting adapter	10 000 kg
Weight	22 kg

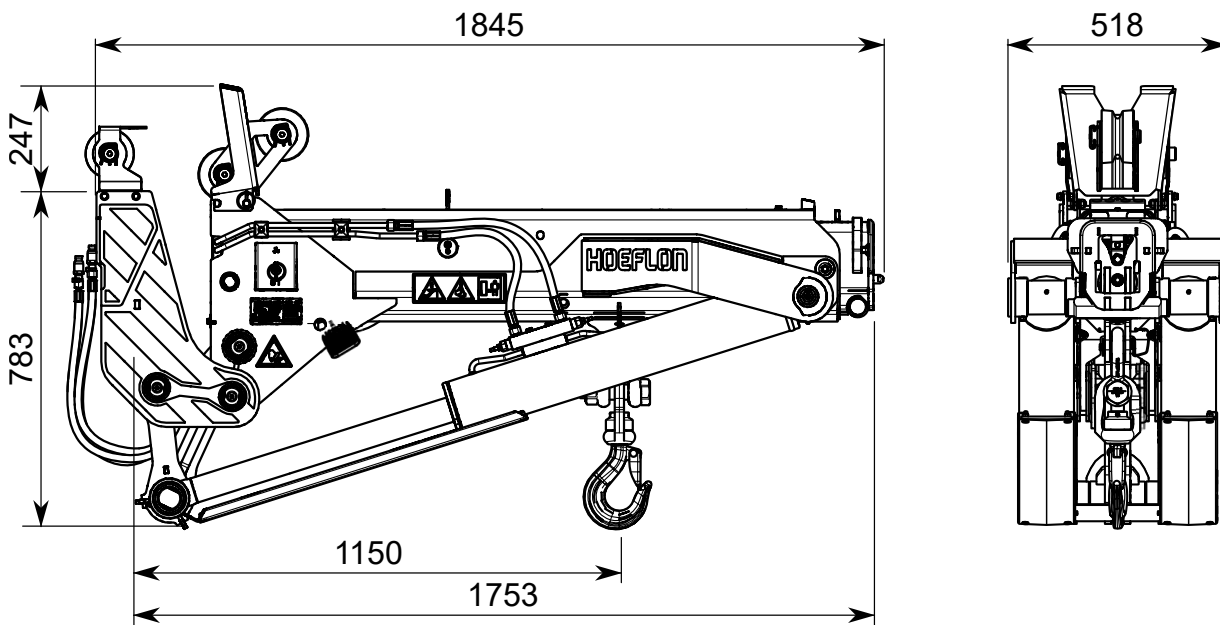
  

<b>Hook adapter</b>	
Capacity	10 000 kg
Weight (without hook)	10 kg

<b>Winch head</b>	
Diameter of the winch cable	10 mm
Capacity	8000 kg
Weight	27 kg

### 3.2 Dimensions - Jib - No attachments



#### Note

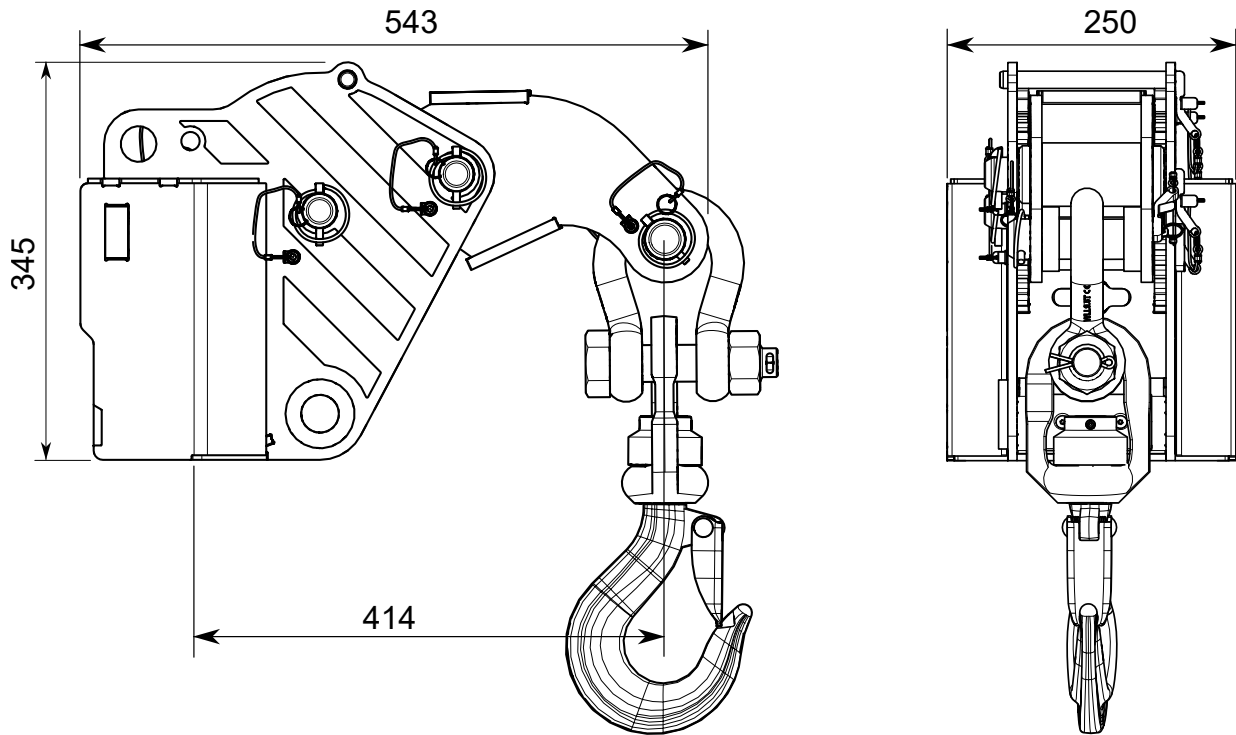
The dimensions at the top of the drawing are overall measurements.

The dimensions at the bottom of the drawing are measured from the plate which goes against the boom.

### 3.3 Dimensions - Lifting adapter and hook adapter

Use the hook adapter if:

- you need to lift a load with the hook,
- the winch head is not installed,

**Note**

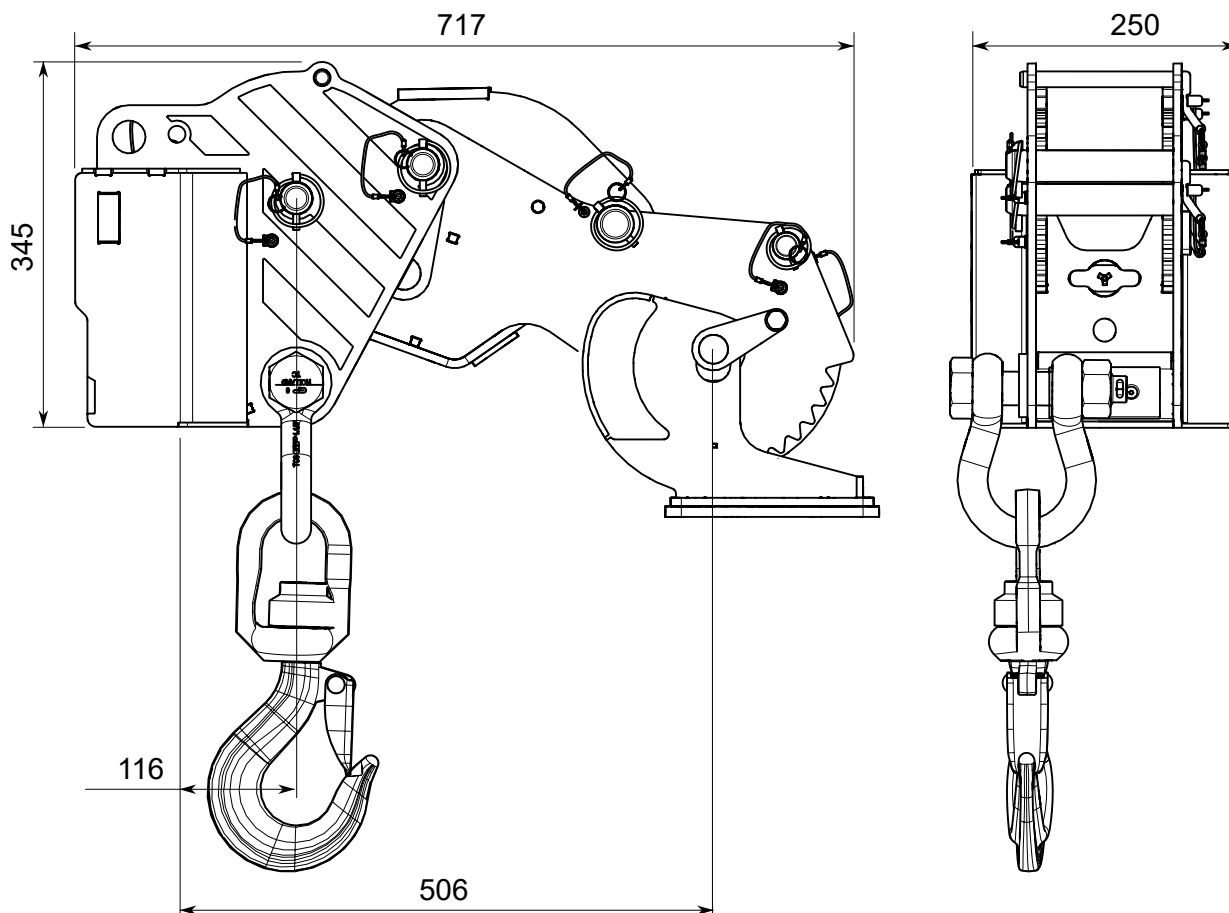
The dimensions at the top of the drawing are overall measurements.

The dimensions at the bottom of the drawing are measured from the plate which goes against the jib.

### 3.4 Dimensions - Lifting adapter with the winch head and the hook

Attach the hook directly on the lifting adapter if

- you need to lift a load with the hook,
- the winch head is installed and you do not want to remove it.



**Note**

The dimensions at the top of the drawing are overall measurements.

The dimensions at the bottom of the drawing are measured from the plate which goes against the jib.

---

# 4.

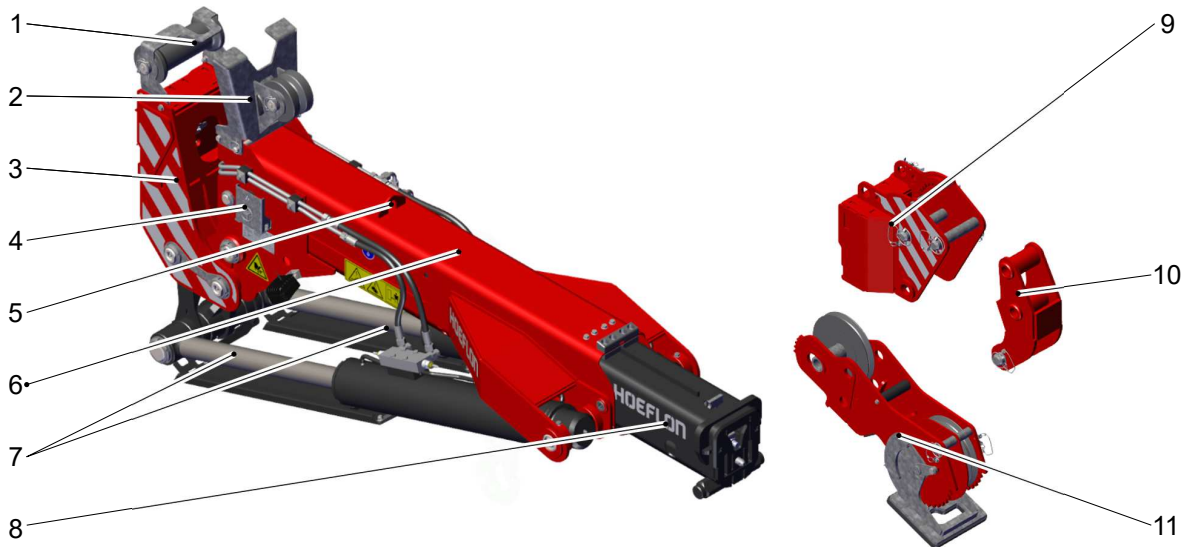
## Description

---

### 4.1 Main components

Use the jib to increase the lifting height and working radius of your compact crane.

The jib also gives extra reach to access difficult areas on site such as over rooftops and high balustrades or under soffits and ceilings.



- |                              |                    |
|------------------------------|--------------------|
| 1. Guide for the winch cable | 7. Lift cylinders  |
| 2. Support and cable guide   | 8. Mast part 2     |
| 3. Quick connect             | 9. Lifting adapter |
| 4. RFID tag for 8 ton hook   | 10. Hook adapter   |
| 5. Hoisting point            | 11. Winch head     |
| 6. Main mast                 |                    |

Use the lifting hook (7) or the winch head (10) with the jib.

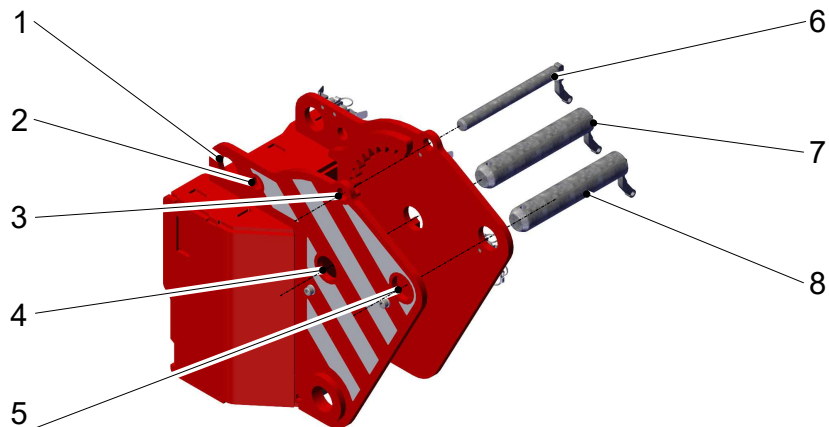
Attach the lifting hook between the lift cylinders to get the maximum lifting capacity of the jib.

Attach the jib to the boom of the compact crane with the quick connect (3).

Use the remote control of the compact crane to control the jib.

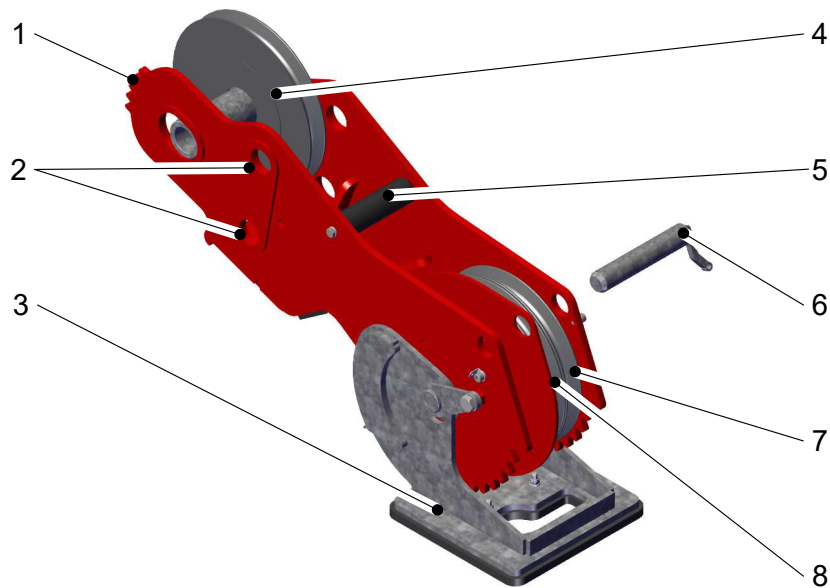
The winch head has a mechanical winch stop.

## 4.2 Main components - Lifting adapter



- |   |   |
|---|---|
| 1. Storage position of the angle lock pin                       | 6. Protection pin against cable run-out |
| 2. Storage position of the protection pin against cable run-out | 7. Shaft                                |
| 3. Working position of the protection pin against cable run-out | 8. Angle lock pin                       |
| 4. Working position of the shaft                                |   |
| 5. Working position of the angle lock pin                       |   |

### 4.3 Main components - Winch head



- |   |   |
|---|---|
| 1. Locking serration to set the angle of the winch head | 5. Lifting handle                                     |
| 2. Working positions of the angle lock pin              | 6. Protection pin against cable run-out of the sheave |
| 3. Winch stop   | 7. Cable sheave 1                                     |
| 4. Guide roll for the winch cable                       | 8. Cable sheave 2                                     |



---

# 5.

## Installation

---

### 5.1 Installing the jib

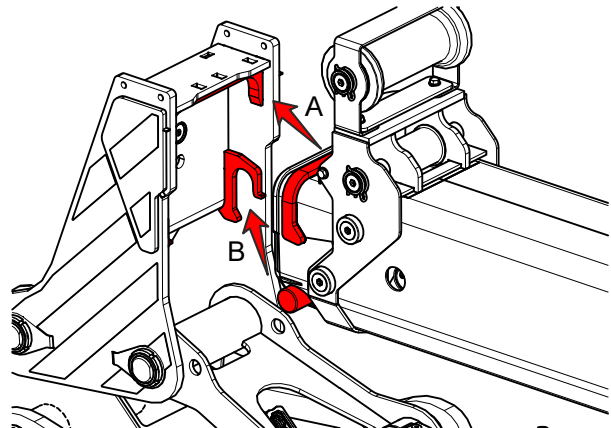
1. Fully retract the boom.
2. Align the crane with the jib.
3. Raise the crane on the outriggers.
4. Adjust the crane with the outriggers so that the boom points towards the connection plate on the jib.
5. Push the lever on the top of the boom back.
  - Lock the lever by pushing it to the side.
6. Make sure that the locking pin is fully retracted.





7. Slowly extend the boom until the end of the boom touches the quick connect of the jib.
8. Connect the hydraulic hoses and the power plug.

- Use the color coding on the hoses when you connect the hoses.
- You can move the connector plate of the jib with a small amount if it does not fully align with the boom.



9. Make sure that:
  - the strip on the top of the boom engages into the slot in the top of the jib (A).
  - the pins on the side of the boom engage with the slots in the side of the jib (B).
10. Slowly move the boom UP.
  - Make sure that the jib doesn't fall.
  - Make sure that the hoses or the cable don't catch.

11. Lift the jib of the ground.

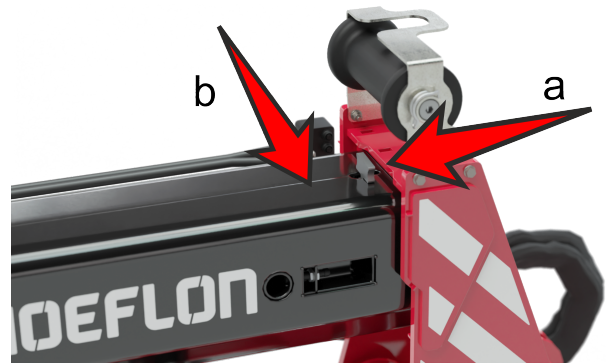


12. Unlock the lever on the top of the boom and push it towards the jib.
13. Make sure that the locking pin is fully engaged in the jib.

## 5.2 Removing the Jib

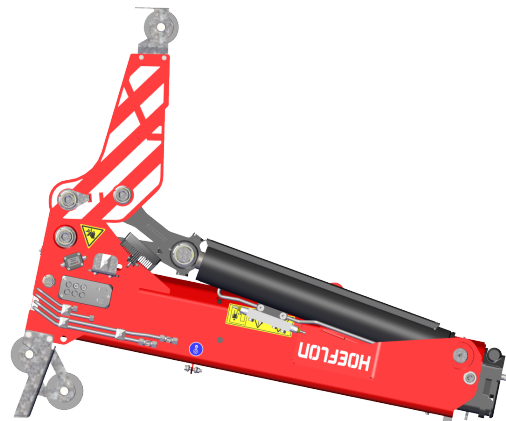


1. Move the jib into its transport position.
2. Extend the boom and adjust the crane with the outriggers so that the jib is put on the ground.
3. Pull the release on the boom to the back (a).
4. Push the release to the side so that the release stays open (b).
5. Adjust the connector plate of the jib so that the boom can move out of the plate.



### Note

Put the jib on the two supports.



6. Slowly move the boom DOWN.
  - Make sure that the jib doesn't fall.
  - Make sure that the hoses or the cable don't catch.
7. Disconnect the hydraulic hoses and the power plug.
8. Move the hydraulic hoses and the power cable to a safe position.



9. Fully retract the boom.

### 5.3 Attaching the 8 ton hook between the lifting cylinders



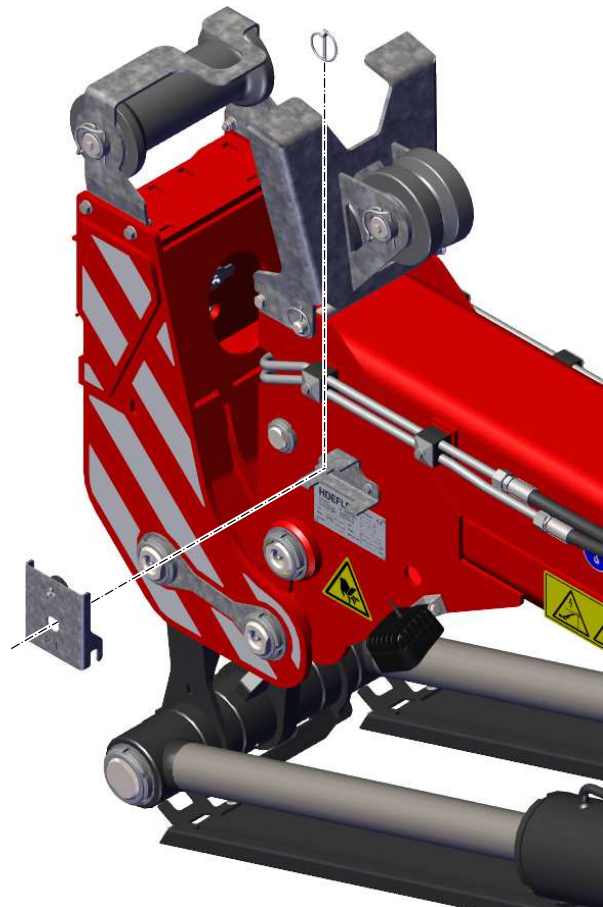
#### Note

The jib only identifies an attachment if it is installed at the end of the jib. If you install the 8 ton hook between the lifting cylinders you must install the RFID tag at the end of the jib.

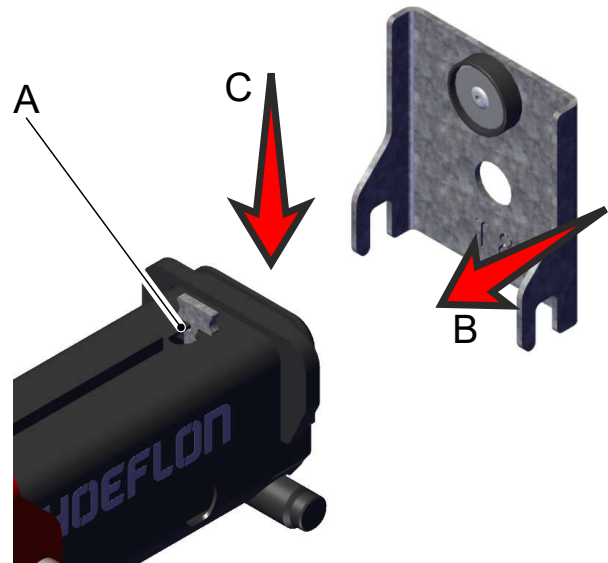
The RFID tag informs the compact crane that the 8 ton hook is installed.

#### 5.3.1 Install the RFID tag

1. Remove the lynch pin from the RFID tag.
2. Remove the RFID tag from its storage position.

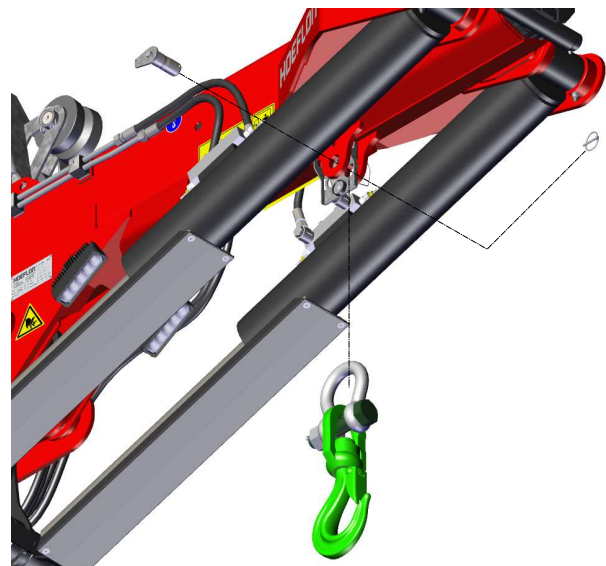


3. Pull the release (A) back and then sideways.
  - Make sure that the release goes into the slot.
4. Make sure that the retainer pin is retracted.
5. Push the RFID tag against the jib (B).
6. Push the RFID tag down (C).
7. When the RFID tag is fully attached to the jib:
  - Move the release out of its slot.
  - Move the release forward.
  - Make sure that the retainer pin engages in the lifting adapter.



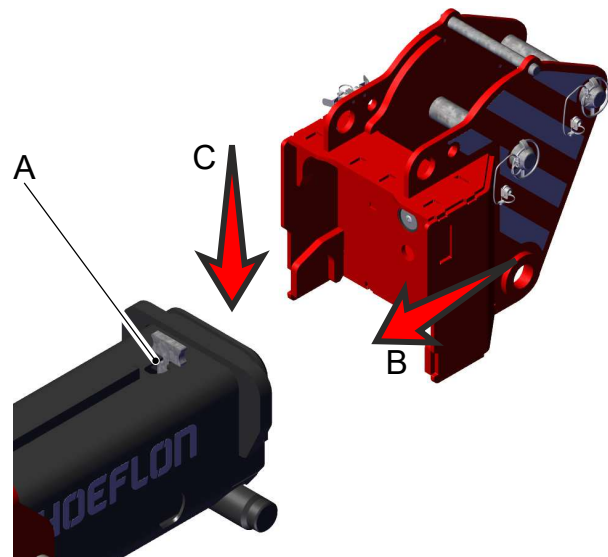
### 5.3.2 Install the 8 ton hook

1. Remove the lynch pin.
2. Remove the pin.
3. Move the shackle of the hook between the two strips.
4. Put the pin back through the two strips and the shackle.
5. Lock the pin with the lynch pin.
6. Make sure that the hook is installed correctly.



## 5.4 Attaching the lifting adapter

1. Pull the release (A) back and then sideways.
  - Make sure that the release goes into the slot.
2. Make sure that the retainer pin is retracted.
3. Push the lifting adapter against the jib (B).
4. Push the lifting adapter down (C).
5. When the lifting adapter is fully attached to the jib:
  - Move the release out of its slot.
  - Move the release forward.
  - Make sure that the retainer pin engages in the lifting adapter.

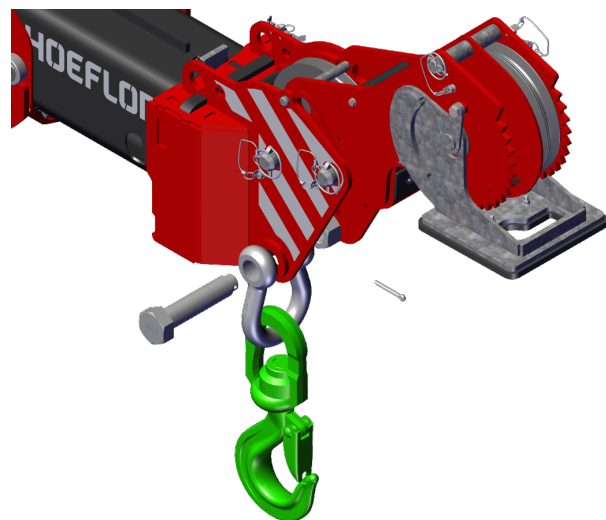


## 5.5 Attaching the hook on the lifting adapter

Attach the hook directly on the lifting adapter if

- you need to lift a load with the hook,
- the winch head is installed and you do not want to remove it.

1. Attach the lifting adapter.
2. Remove the shackle from the hook.
3. Turn the shackle so that the opening is at the top.
4. Put the hook in the shackle.
5. Move the shackle in the lifting adapter
  - Align the three holes of the shackle and the lifting adapter.
6. Insert the bolt.
7. Install and tighten the nut.
8. Safety the nut with the pin.



## 5.6 Attaching the hook adapter and the hook

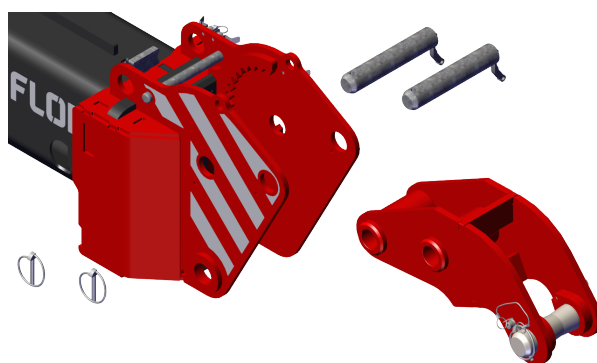
Use the hook adapter if:

- you need to lift a load with the hook,
- the winch head is not installed.

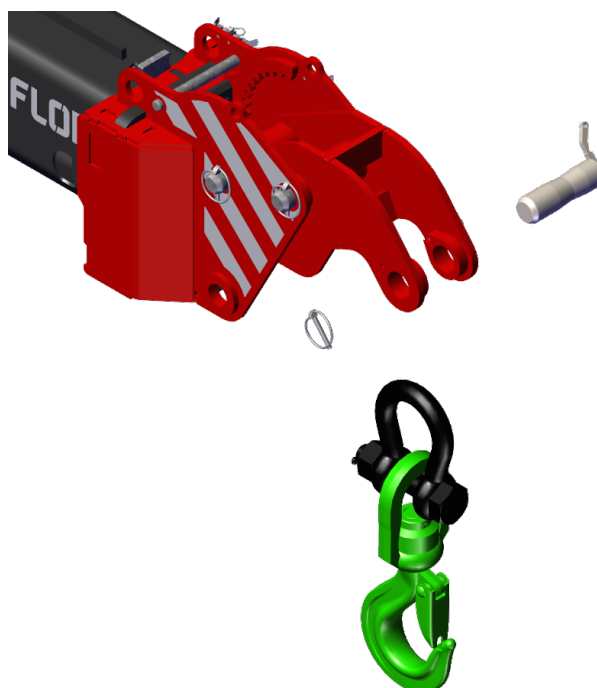
If you attach the hook adapter to the lifting adapter then the total profile is slimmer so that you can reach into smaller cavities. Also the hook is higher.

If you attach the hook adapter upside down then the hook is even higher. The maximum jib angle is limited.

1. Remove the lynch pins.
2. Remove the pins out of the lifting adapter.
3. Move the hook adapter between the two plates at the end of the lifting adapter.
4. Put the pins back in the lifting adapter.
5. Lock the pins with the lynch pins.
6. Make sure that the hook adapter is installed correctly.

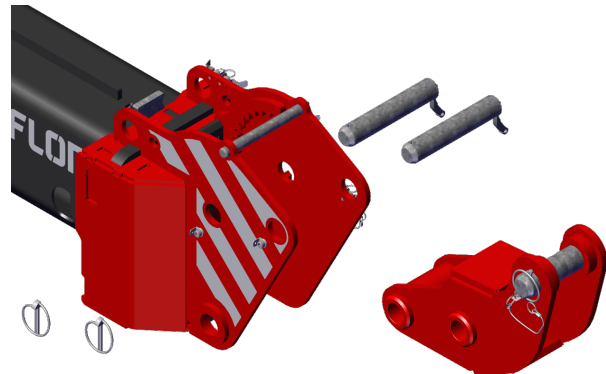


7. Remove the lynch pin from the hook connector pin.
8. Remove the hook connector pin out of the hook adapter.
9. Move the shackle of the hook into the hook adapter.
10. Put the hook connector pin back in the hook adapter and through the shackle of the hook.
11. Lock the hook connector pin with the lynch pin.
12. Make sure that the hook is installed correctly.



## 5.7 Attaching the hook adapter - Upside down

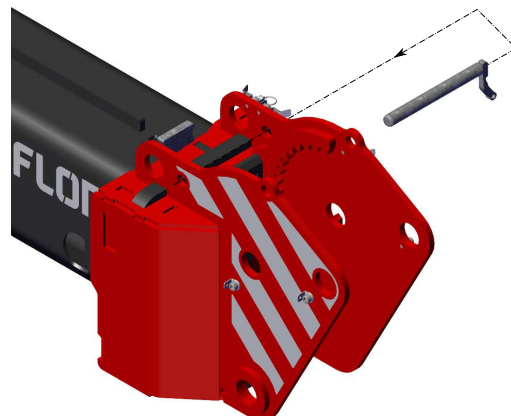
Install the hook adapter in the upside down position if you need to increase the height of the hook.



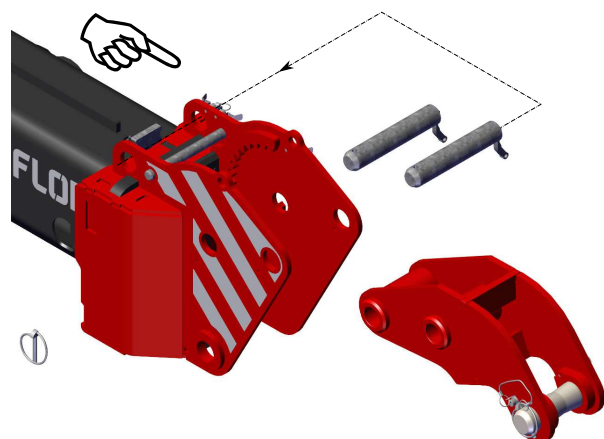
## 5.8 Attaching the hook adapter so that it turns freely

Attach the hook adapter with only one pin to increase the useable jib angle.

1. Remove the protection pin against cable run-out .
2. Put the protection pin in its storage position.



3. Remove the lynch pins.
4. Remove the pins out of the lifting adapter.
5. Put one pin in the storage position.

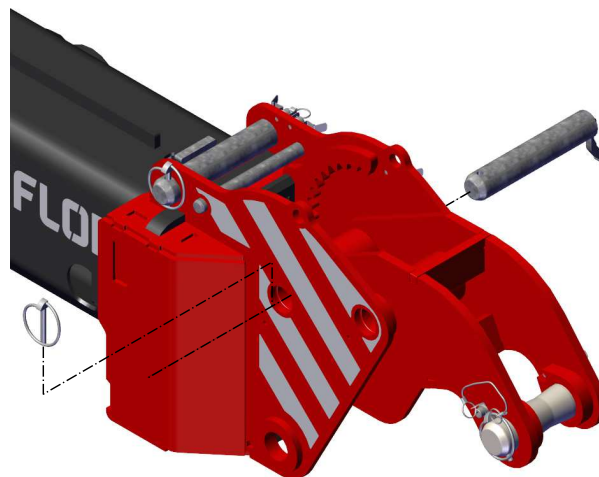


### Caution

Do not put the pin back in the hole furthest from the jib.

The hook adapter will not move freely and will damage the lifting adapter and / or the hook adapter.

6. Move the hook adapter in the lifting adapter.
7. Put the second pin back in the lifting adapter.
  - Put it in the hole nearest to the jib.
8. Lock the pins with the lynch pins.

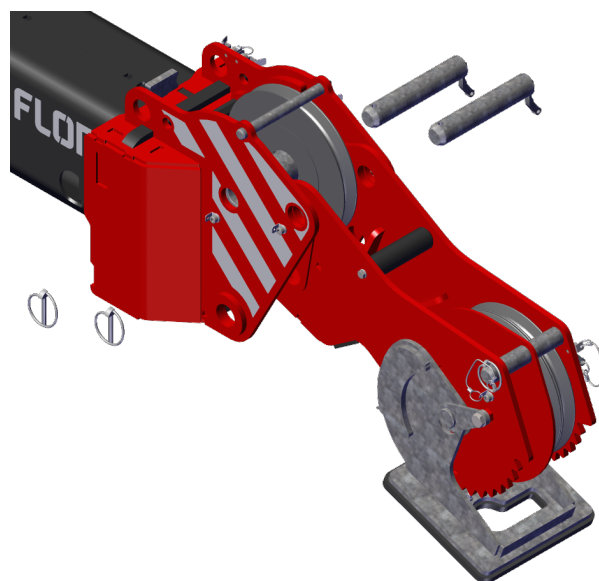


## 5.9 Preparing the crane for use with the winch

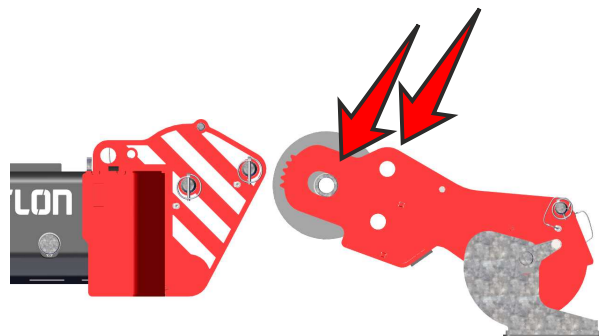
Use the remote control to set the winch state of the crane ON. Refer to the user manual of your crane.

### 5.9.1 Installing the winch head in the 0° (low) position

1. Remove the lynch pins.
2. Remove the pins out of the lifting adapter.
3. Move the winch head between the two end plates of the lifting adapter.
4. Turn the winch head to the correct position.

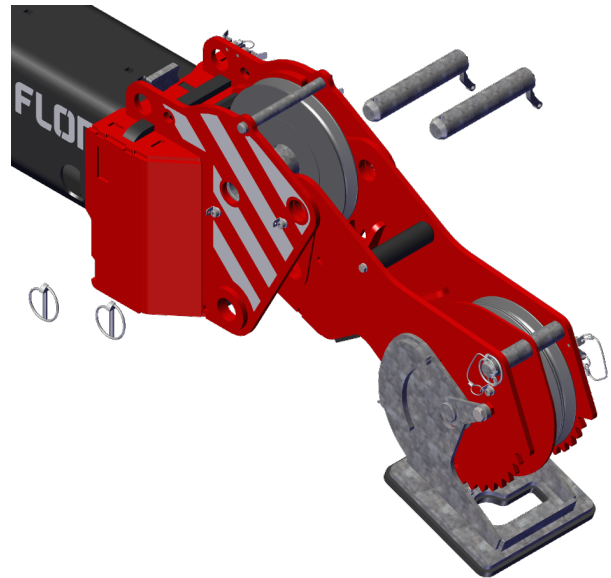


5. Put a pin through:
  - the hole in the guide pulley of the cable
  - the upper hole in the winch head
6. Put the pins back in the lifting adapter.
7. Lock the pins with the lynch pins.
8. Make sure that the winch head is installed correctly.

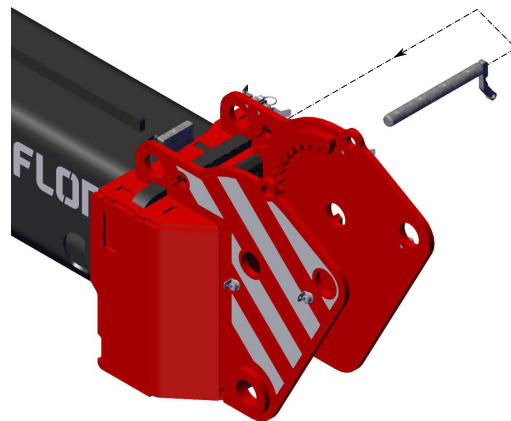


### 5.9.2 Installing the winch head in the 30° (high) position

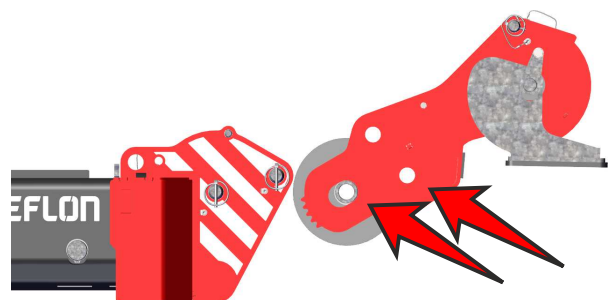
1. Remove the lynch pins.
2. Remove the pins out of the lifting adapter.



3. Remove the protection pin against cable run-out.
4. Put the protection pin in its storage position.
5. Move the winch head in the lifting adapter.
6. Turn the winch head to the correct position.

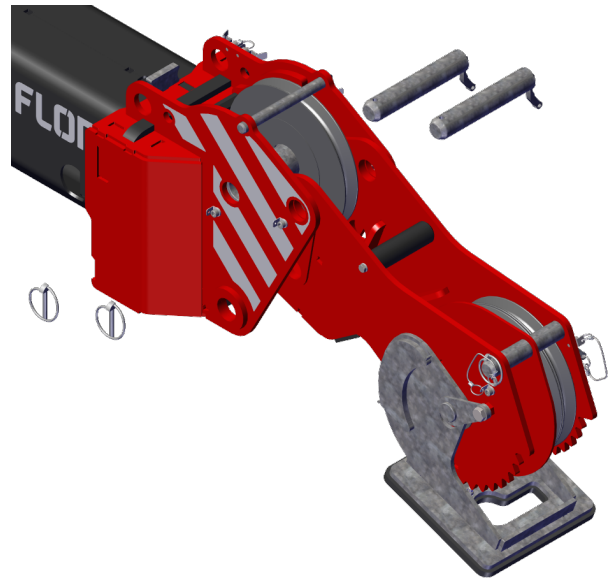


7. Put the pin through:
  - the hole in the guide pulley of the cable
  - the lower hole in the winch head
8. Put the pins back in the lifting adapter.
9. Lock the pins with the lynch pins.
10. Make sure that the winch head is installed correctly.



### 5.9.3 Installing the winch head so that it turns freely

1. Remove the lynch pins.
2. Remove the pins out of the lifting adapter.
3. Move the winch head in the lifting adapter.
4. Turn the winch head to the correct position.



5. Only put the winch head shaft through the hole in the guide roll of the cable.
6. Put the angle lock pin in the storage hole.



#### Caution

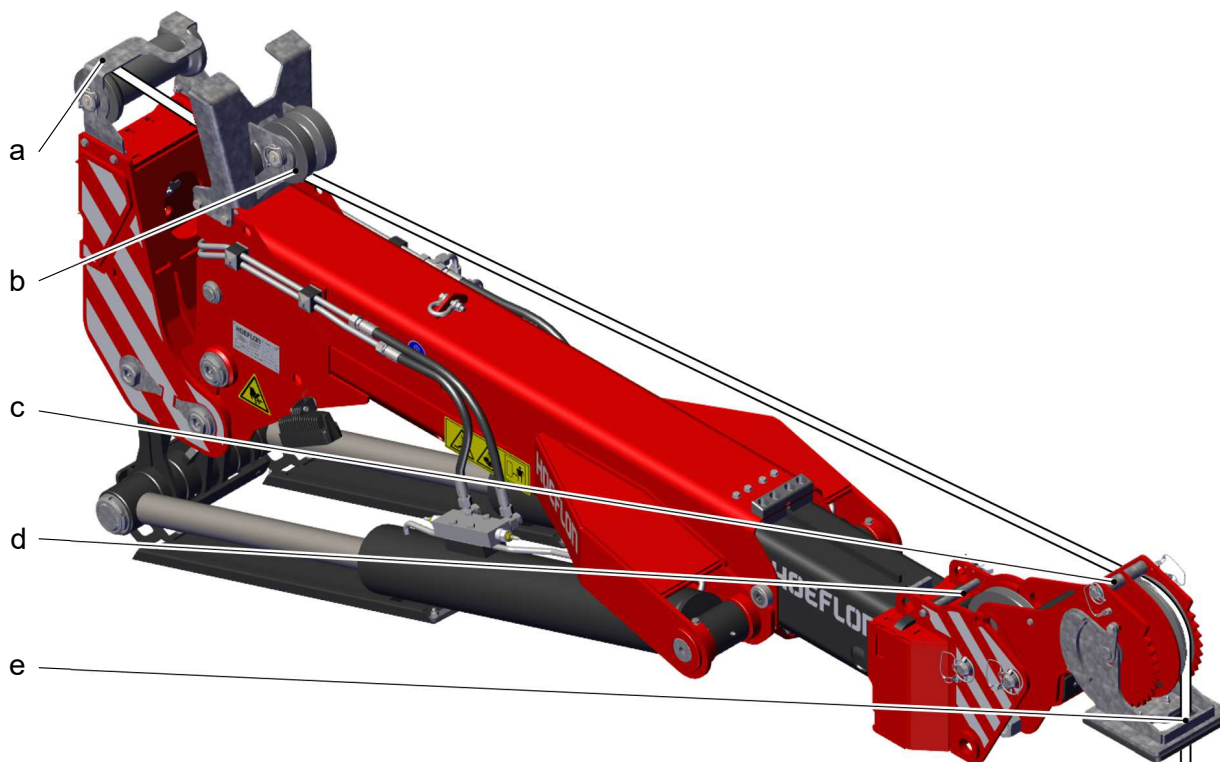
Do not put the angle lock pin back in the hole furthest from the jib.

The winch head will not move freely and will damage the lifting adapter and / or the hook adapter.

7. Lock the two pins with the lynch pins.
8. Make sure that the winch head is installed correctly.

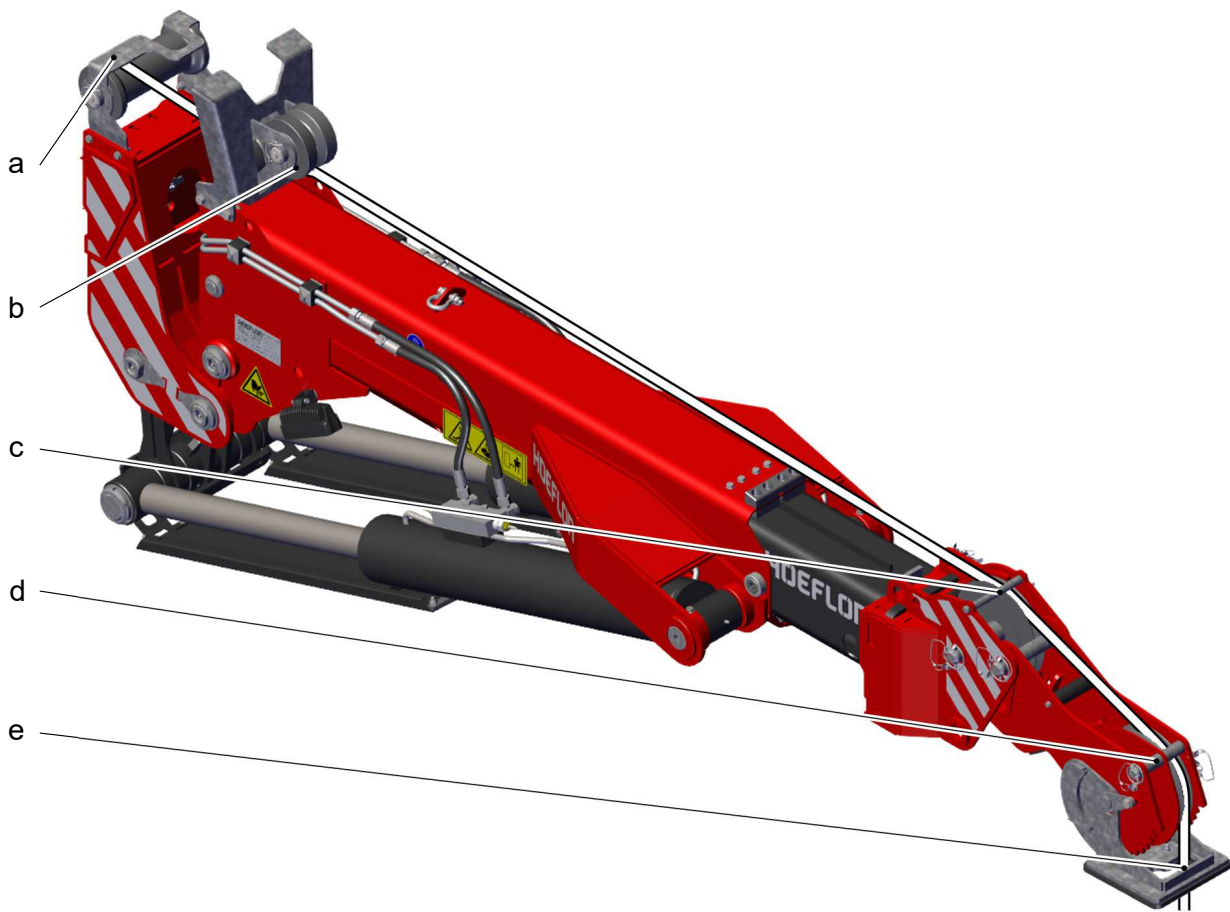
## 5.10 Routing the cable through the winch head

### 5.10.1 If the winch angle is 30°



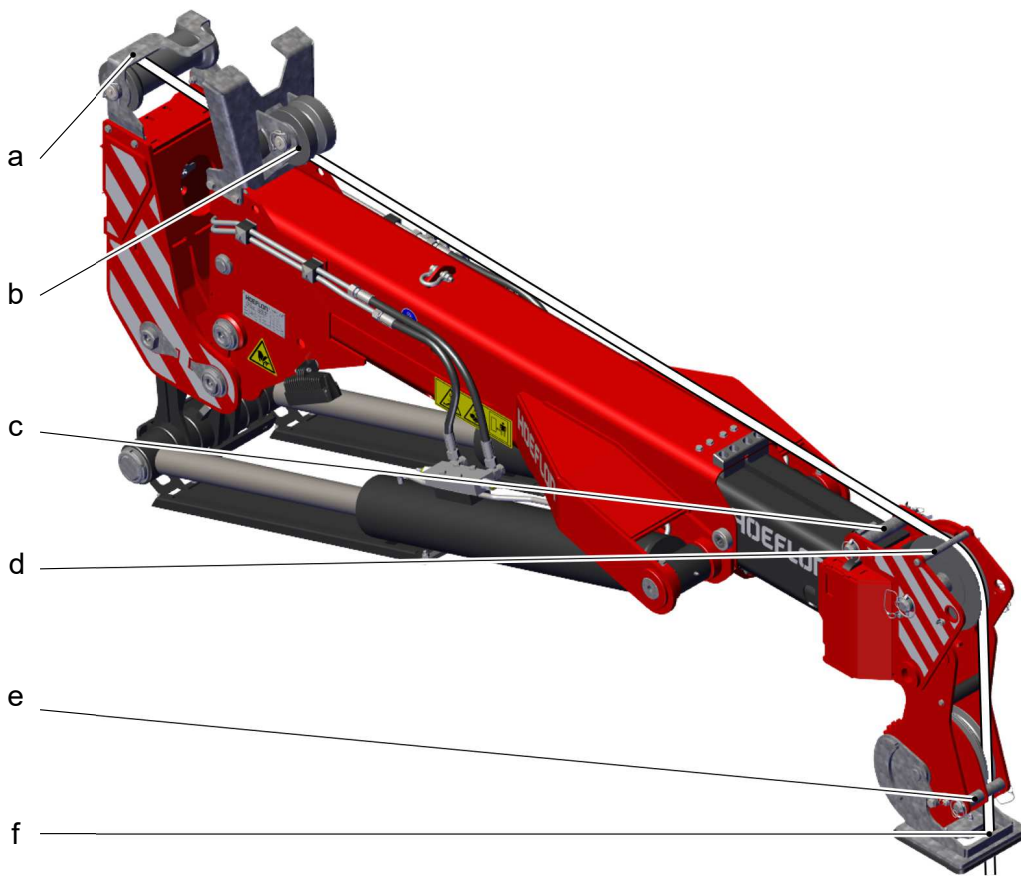
- a. Cable through the guide on the quick connect,
- b. Cable through the cable guide on the jib,
- c. Cable under the cable guide pin of the cable sheave,
- d. Cable guide of winch roll in its storage position,
- e. Cable through the plate in the winch head.

### 5.10.2 If the winch angle is 0°



- a. Cable through the guide on the quick connect,
- b. Cable through the cable guide on the jib,
- c. Cable under the cable guide pin of the winch roll,
- d. Cable under the cable guide pin of the cable sheave,
- e. Cable through the plate in the winch head.

### 5.10.3 If the winch can turn freely



- a. Cable through the guide on the quick connect,
- b. Cable through the cable guide on the jib,
- c. Angle lock pin in its storage position,
- d. Cable under the cable guide pin of the winch roll,
- e. Cable under the cable guide pin on the cable sheave,
- f. Cable through the plate in the winch head.

## 5.11 Winching with the jib (1x reeving)

Use the remote control to set the winch reeving factor to 1. Refer to the user manual of your crane.

### 5.11.1 Preparing the winch cable



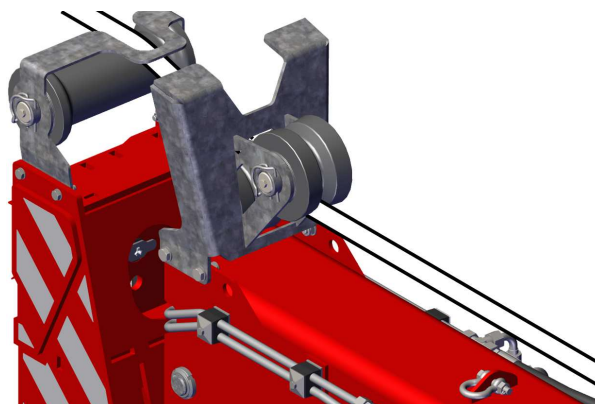
#### Caution

Make sure that there is always tension in the cable. The cable will tangle otherwise.

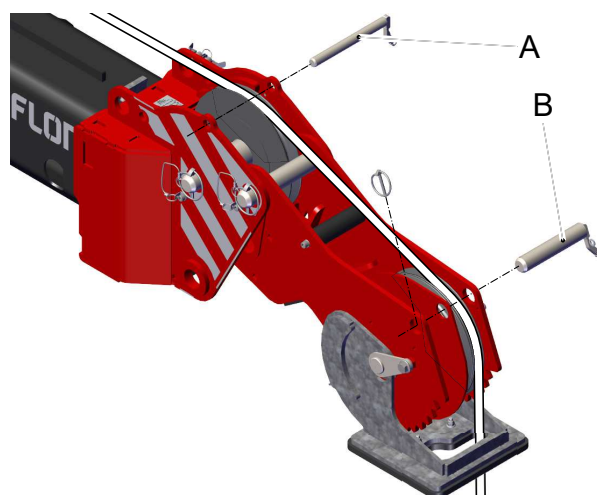
**Caution**

Use gloves when you pull the winch cable.

1. Pull the cable while slowly unwinding the cable at the same time.
2. Pull the winch cable through the rolls on the boom. Refer to the user manual of your crane.
3. Pull the winch cable through the guide rolls on the jib.



4. Remove the protection pin against cable run-out (A) from the winch head.
  - If the winch head is in the (high) 30° position.
    - a. Put the protection pin in its storage position.
  - If the winch head is in the (low) 0° or "free turning "position.
    - a. Pull the winch cable over the guide reel.
    - b. Put the protection pin back in position.
    - c. Make sure that the winch cable goes between the guide reel and the protection pin against cable run-out .



5. Remove the lynch pin and the protection pin against cable run-out (B) from the winch head.
6. Pull the cable while slowly unwinding the cable at the same time.
7. First put the cable over cable sheave 1 (see 4.3 Main components - Winch head).
8. Pull the cable through the hole in the plate in the winch head.
9. Install the protection pin against cable run-out and the lynch pin on the winch head again.

### 5.11.2 Attaching the hook block

1. Move the end of the jib close to and above the hook block.
2. Pull the cable while slowly unwinding the cable at the same time.

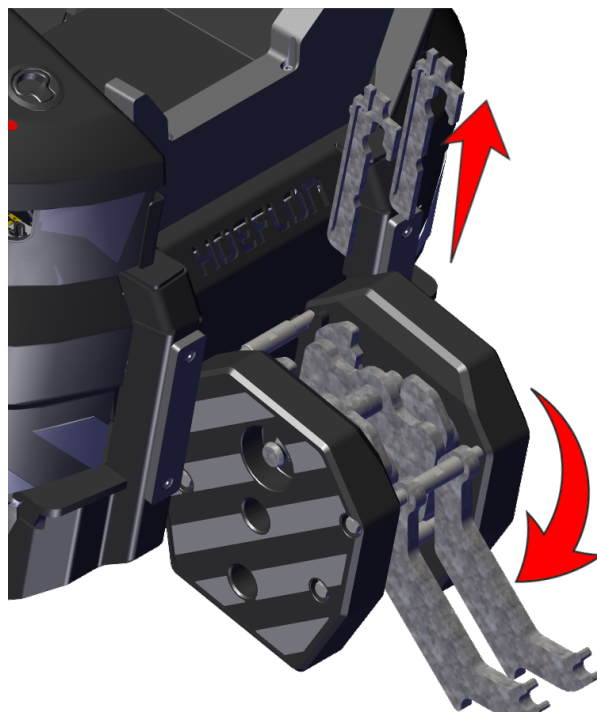
**Note**

Make sure that there is always tension in the winch cable. If you don't then the cable will tangle,

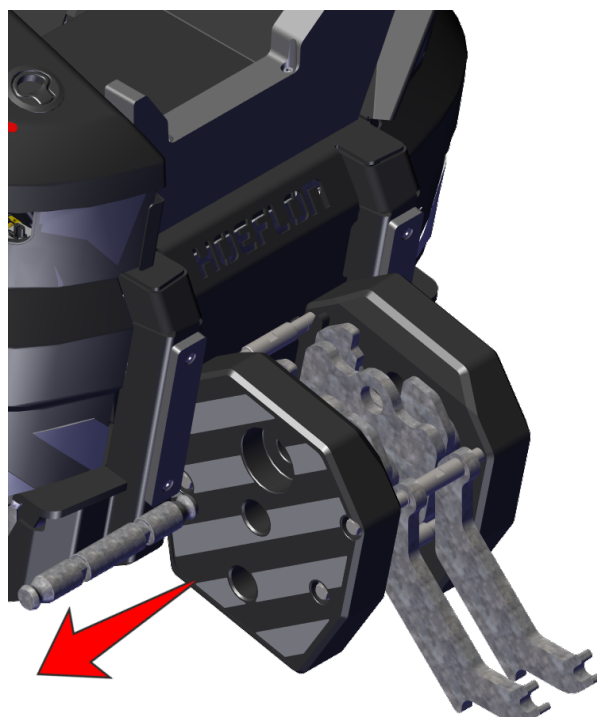
**Caution**

Use gloves when you pull the winch cable.

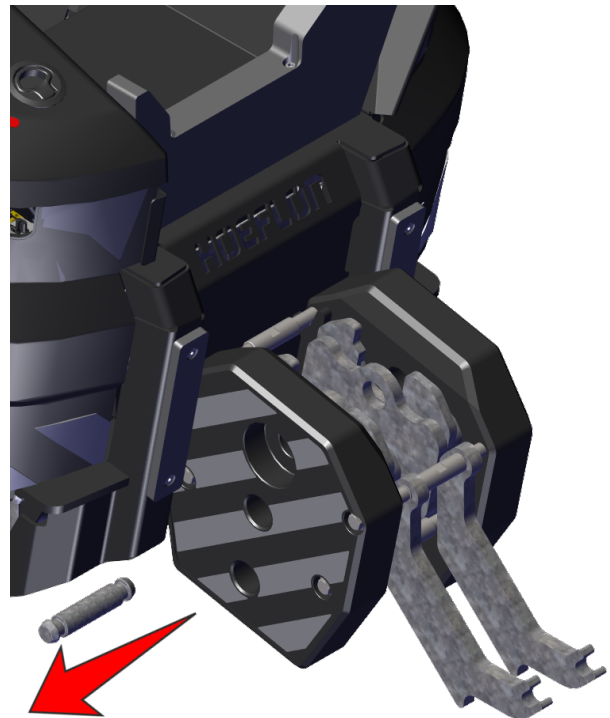
3. Turn the stop plates of the winch out of the way.
4. Push the forks of the clamp keys together and pull the clamp keys out.



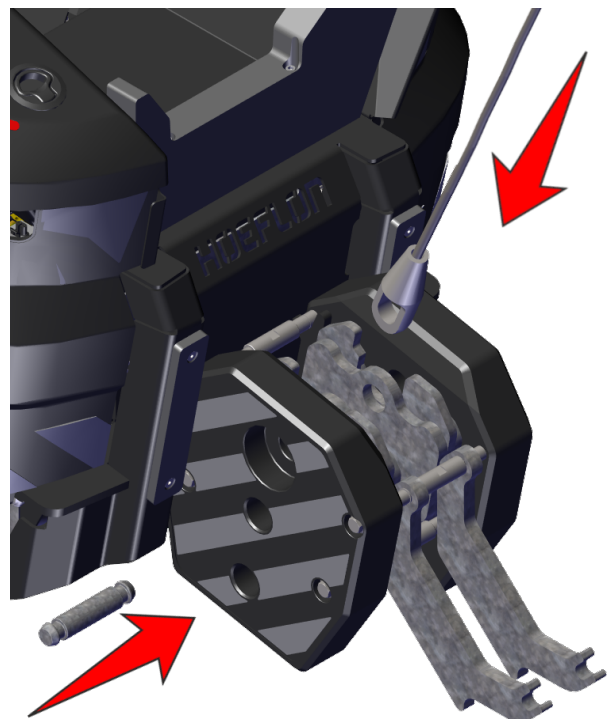
5. Remove the large shaft from the hook block.
  - This is the TOP shaft in the hook block.
  - Put the shaft in a drawer in the crane.



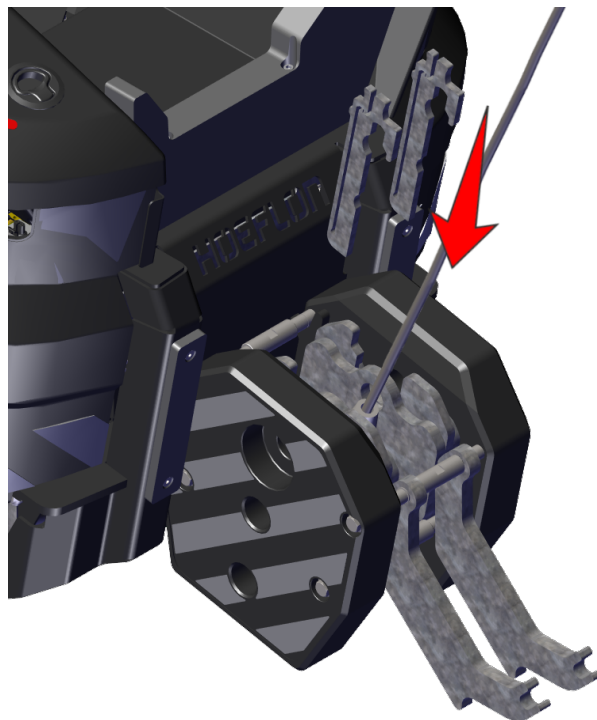
6. Remove the small shaft from the hook block.
  - This is the shaft in the center of hook block.
7. Pull the cable while slowly unwinding the cable at the same time



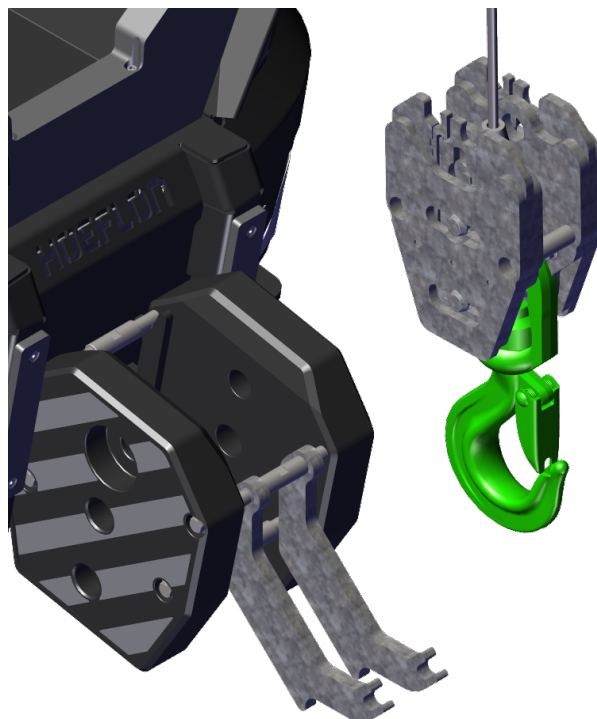
8. Move the cable into the hook block.
9. Align the eye in the cable central hole in the hook block.
10. Push the small shaft back into the central hole in the hook block and through the eye of the cable.



11. Push the forks of the clamp keys together and push the clamp keys back in.
12. Release the forks.
13. Make sure that the clamp keys are inserted and locked correctly.



14. Pull the small hook block out of the large hook block.
  - You only use the small hook block during lifting with the winch without reeving.



## 5.12 Winching with the jib (2x reeving)

Use the remote control to set the winch reeving factor to 2. Refer to the user manual of your crane.

### 5.12.1 Preparing the winch cable



#### Caution

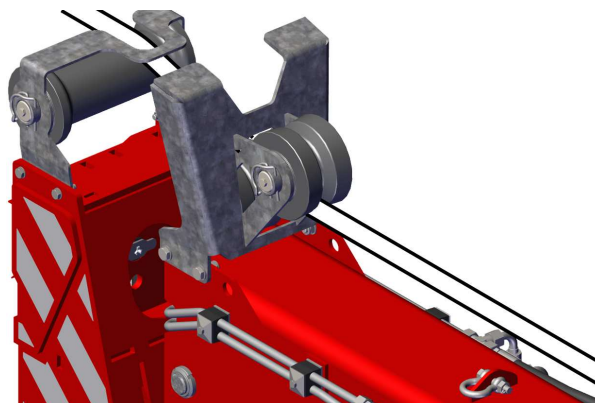
Make sure that there is always tension in the cable. The cable will tangle otherwise.



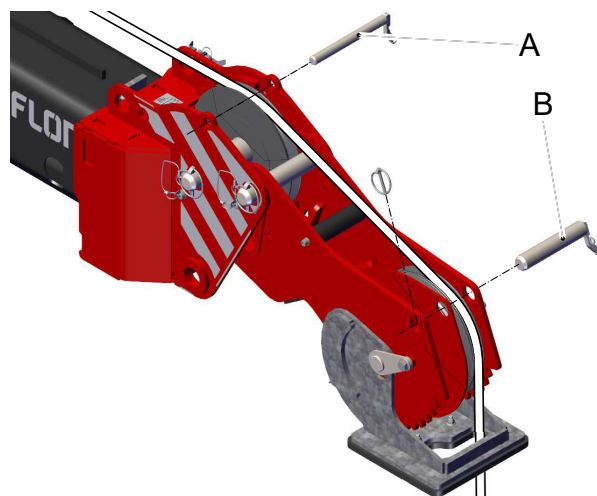
#### Caution

Use gloves when you pull the winch cable.

1. Pull the cable while slowly unwinding the cable at the same time.
2. Pull the winch cable through the rolls on the boom. Refer to the user manual of your crane.
3. Pull the winch cable through the guide rolls on the jib.



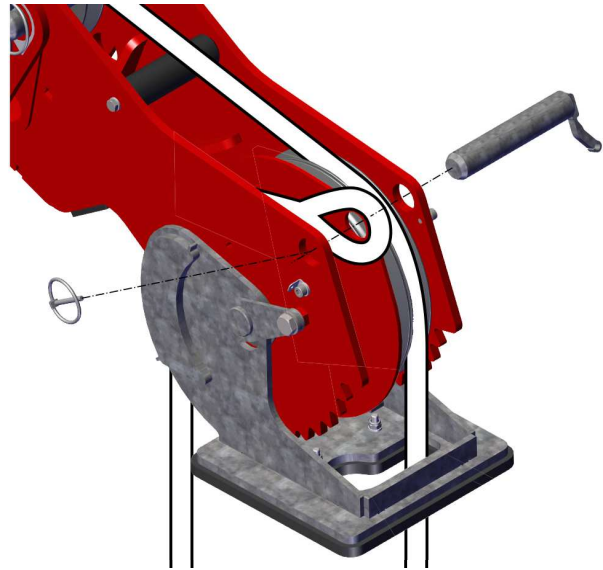
4. Remove the protection pin against cable run-out (A) from the winch head.
  - If the winch head is in the (high) 30° position.
    - a. Put the protection pin in its storage position.
  - If the winch head is in the (low) 0° or "free turning "position.
    - a. Pull the winch cable over the guide reel.
    - b. Put the protection pin back in position.
    - c. Make sure that the winch cable goes between the guide reel and the protection pin against cable run-out .



5. Remove the lynch pin and the protection pin against cable run-out (B) from the winch head.
6. Pull the cable while slowly unwinding the cable at the same time.
7. First put the cable over cable sheave 1 (see 4.3 Main components - Winch head).
8. Pull the cable through the hole in the plate in the winch head.
9. Install the protection pin against cable run-out and the lynch pin on the winch head again.

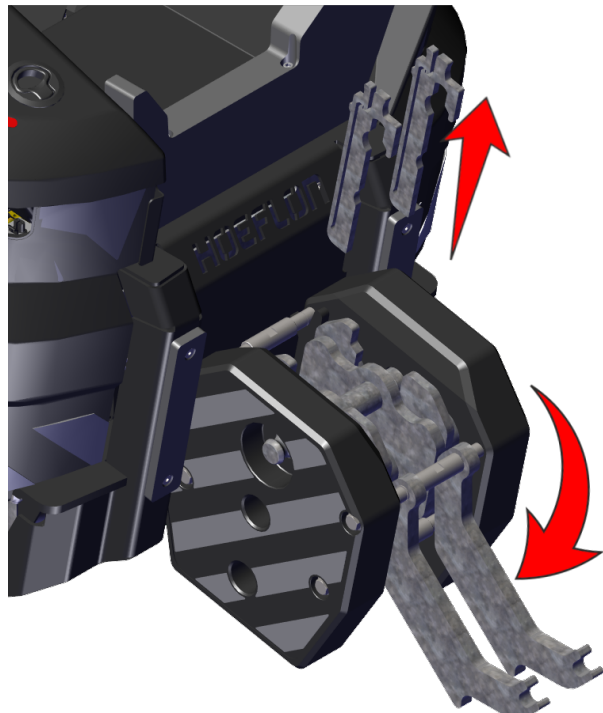
### 5.12.2 Connecting the cable

1. Move the eye of the cable between the plates.
2. Insert the pin, make sure it goes through the eye of the cable.
3. Insert the clip.
  - Do a check to make sure that the pin and the cable are installed correctly.

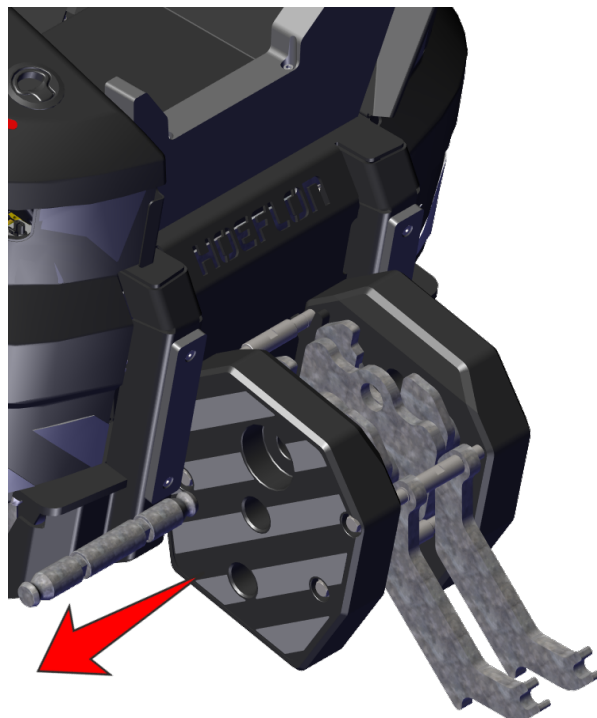


### 5.12.3 Attaching the hook block with 2 x reeving

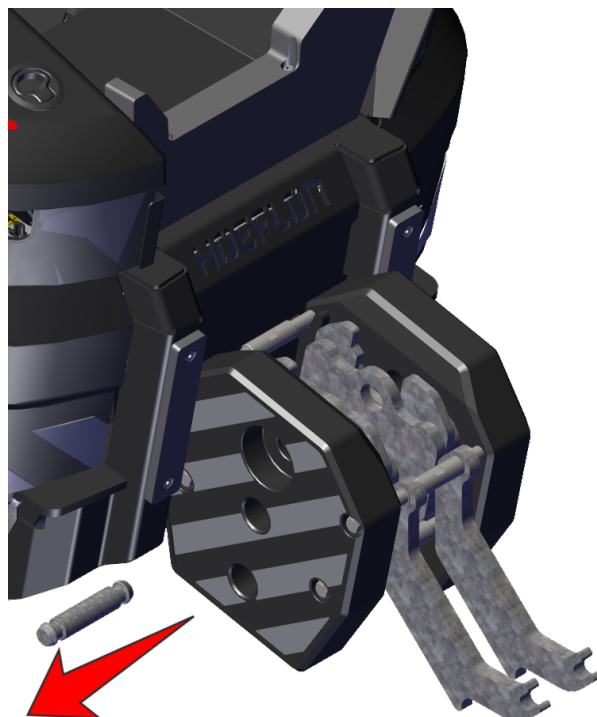
1. Pull the cable while slowly unwinding the cable at the same time
2. Turn the holding plates out of the way.
3. Push the forks of the clamp keys together and pull the clamp keys out.



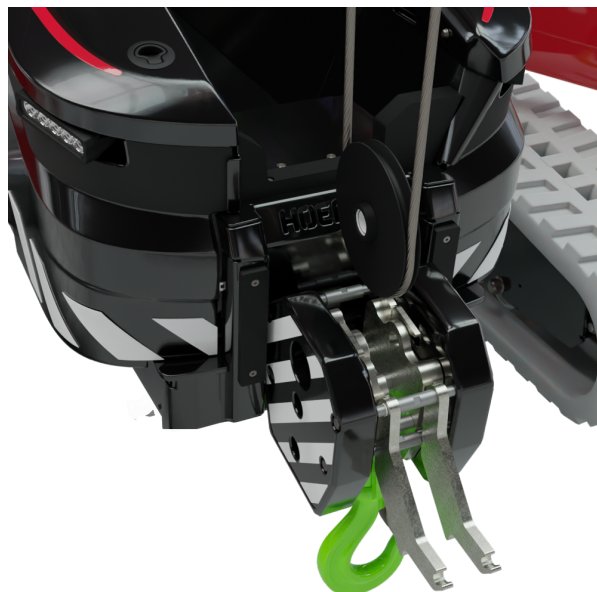
4. Remove the large shaft from the hook block.
  - This is the TOP shaft in the hook block.



5. Remove the small shaft from the hook block.
  - This is the shaft in the center of hook block.
  - Put the shaft in a drawer in the crane.

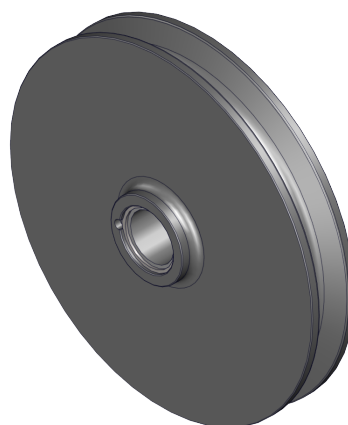


- Put the winch cable around the single cable sheave.

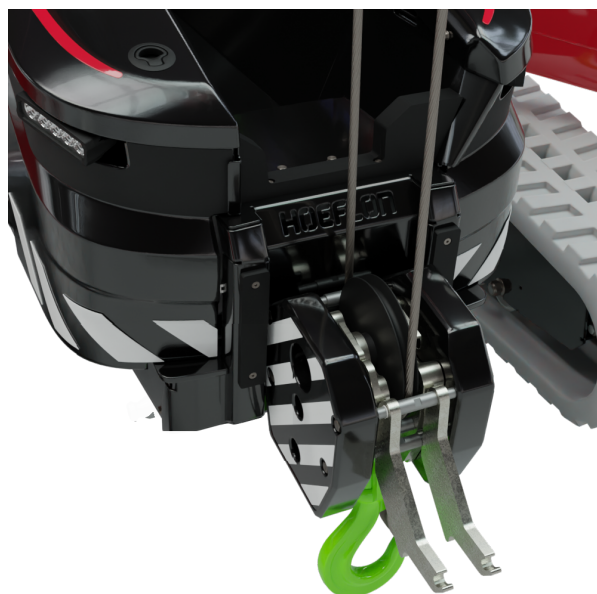


#### Single cable sheave

- One disk only.
- Wide hub.



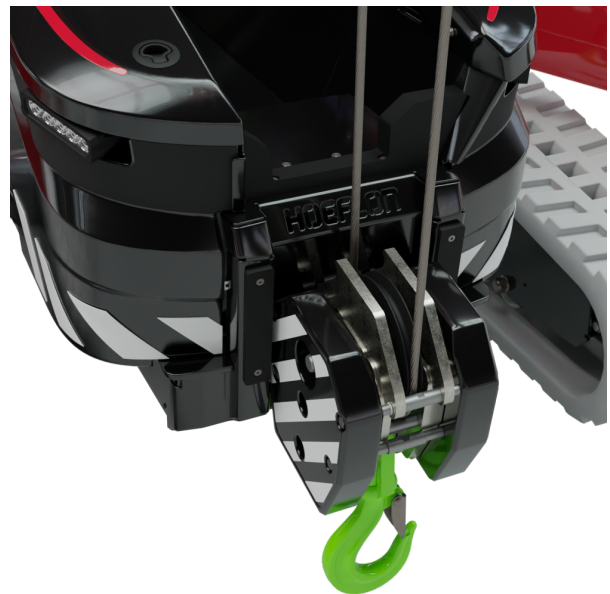
- Put the cable sheave in the hook block.



#### Note

Align the hole in the cable sheave with the top hole in the hook block.

8. Push the **long** shaft back into the top hole in the hook block and through the hole in the cable sheave.
  - The full hook block will be lifted.
9. Push the forks of the clamp keys together and push the clamp keys back in.
10. Release the forks.
11. Make sure that the clamp keys are inserted and locked correctly.
  
12. Turn the stop plates back in position.



13. Pull the large hook block out of its storage position.
  - You use the large hook block during lifting with 2x reeving.



## 5.13 Winching with the jib (4x reeving)

Use the remote control to set the winch reeving factor to 4. Refer to the user manual of your crane.

### 5.13.1 Preparing the winch cable



**Caution**

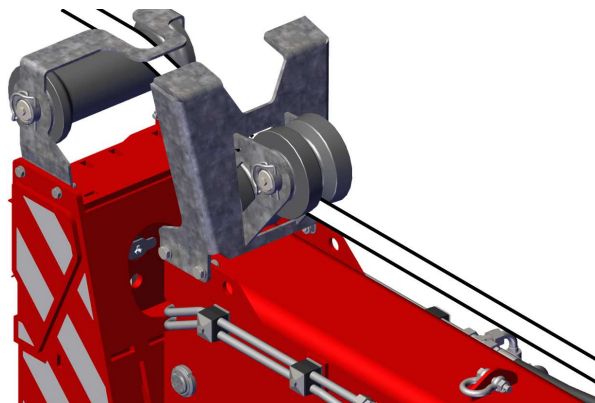
Make sure that there is always tension in the cable. The cable will tangle otherwise.



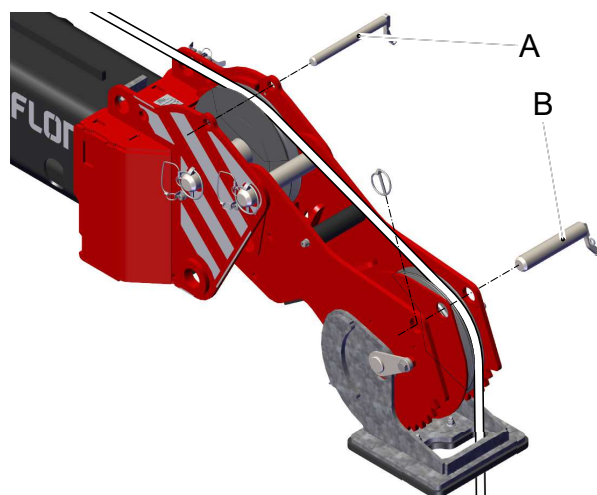
**Caution**

Use gloves when you pull the winch cable.

1. Pull the cable while slowly unwinding the cable at the same time.
2. Pull the winch cable through the rolls on the boom. Refer to the user manual of your crane.
3. Pull the winch cable through the guide rolls on the jib.



4. Remove the protection pin against cable run-out (A) from the winch head.
  - If the winch head is in the (high) 30° position.
    - a. Put the protection pin in its storage position.
  - If the winch head is in the (low) 0° or "free turning "position.
    - a. Pull the winch cable over the guide reel.
    - b. Put the protection pin back in position.
    - c. Make sure that the winch cable goes between the guide reel and the protection pin against cable run-out .



5. Remove the lynch pin and the protection pin against cable run-out (B) from the winch head.
6. Pull the cable while slowly unwinding the cable at the same time.
7. First put the cable over cable sheave 1 (see 4.3 Main components - Winch head).
8. Pull the cable through the hole in the plate in the winch head.
9. Install the protection pin against cable run-out and the lynch pin on the winch head again.

### 5.13.2 Preparing the winch cable for 4 x reeving

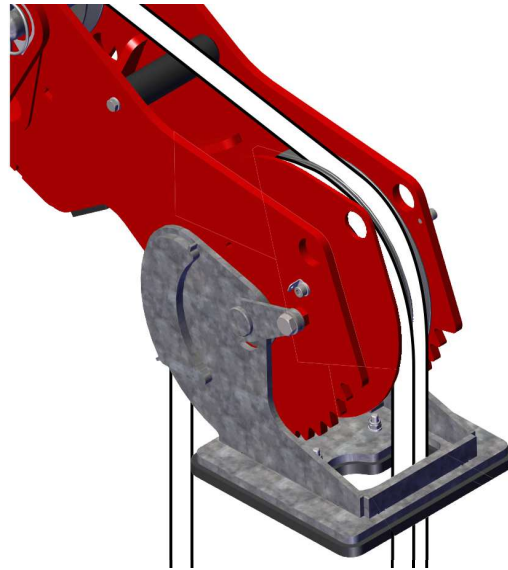
1. Pull the cable so that it hangs in a loop.



**Note**

Make sure that the loop is long enough to go around the sheave in the winch block.

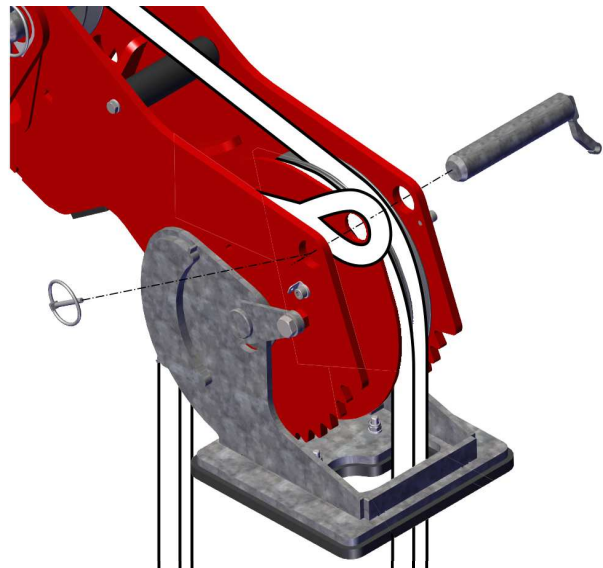
2. Put the cable over sheave 2 (see 4.3 Main components - Winch head).
3. Pull the cable through the hole in the plate in the winch head again.
4. Pull the cable so that it hangs in a loop.

**Note**

Make this loop the same length as the first loop.

### 5.13.3 Connecting the cable

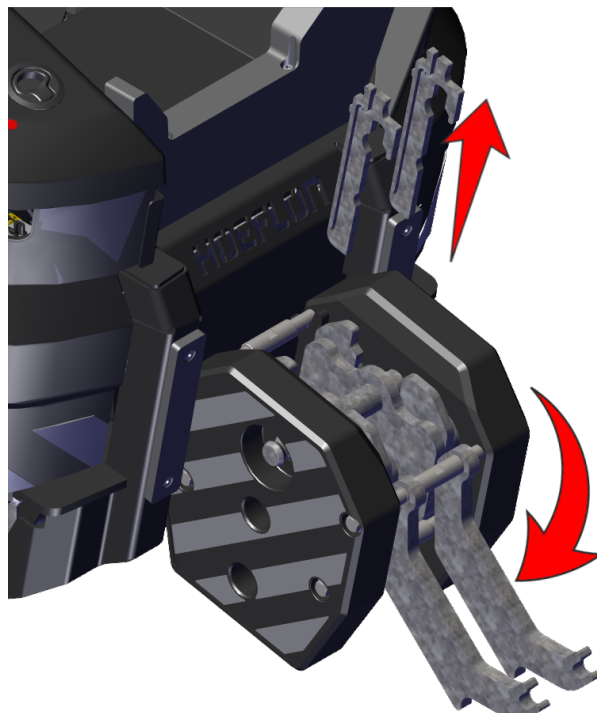
1. Move the eye of the cable between the plates.
2. Insert the pin, make sure it goes through the eye of the cable.
3. Insert the clip.
  - Do a check to make sure that the pin and the cable are installed correctly.



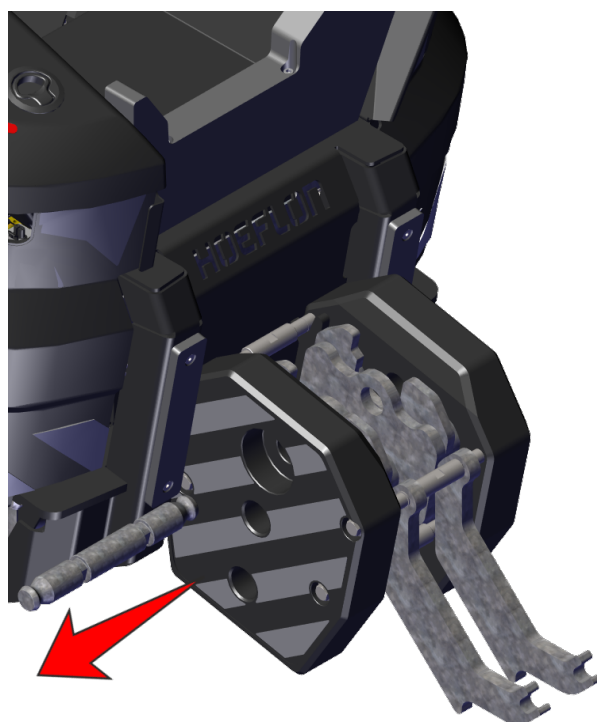
### 5.13.4 Attaching the hook block with 4 x reeving

1. Pull the cable while slowly unwinding the cable at the same time

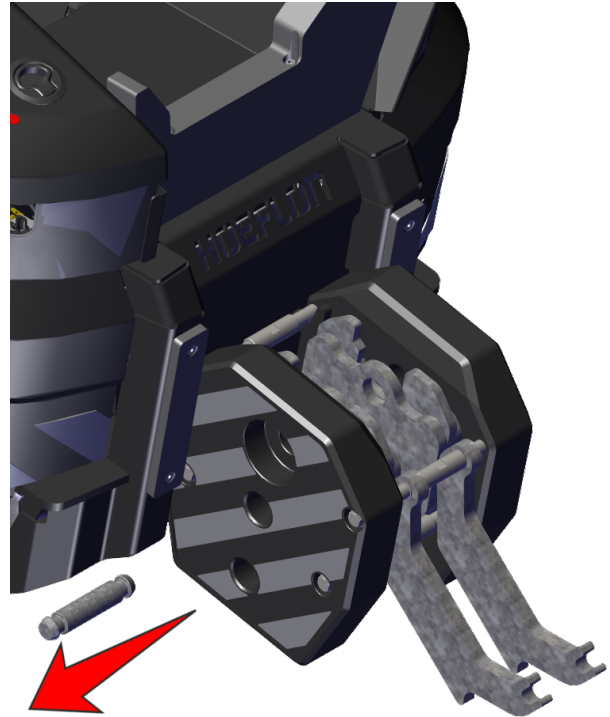
2. Turn the holding plates out of the way.
3. Push the forks of the clamp keys together and pull the clamp keys out.



4. Remove the large shaft from the hook block.
  - This is the TOP shaft in the hook block.



5. Remove the small shaft from the hook block.
  - This is the shaft in the center of hook block.
  - Put the shaft in a drawer in the crane.

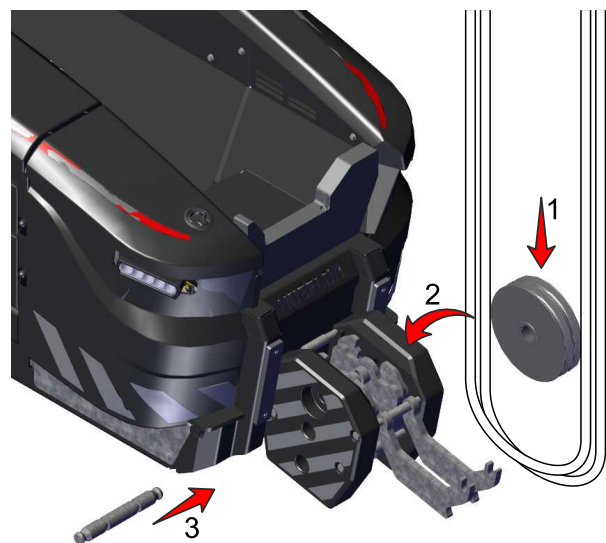


#### Double cable sheave

- Two separate disks.
- Flat hub.



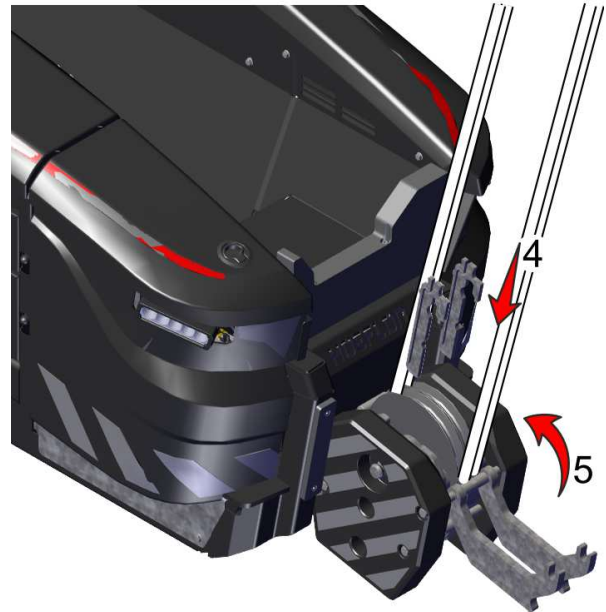
6. Put the two winch cables around the double cable sheave (1).
  - Make sure that each cable is put neatly in its groove.
7. Put the cable sheaves in the hook block (2).



**Note**

Align the hole in the cable sheaves with the top hole in the hook block.

8. Push the **long** shaft back into the top hole in the hook block and through the hole in the cable sheaves (3).
  - The full weight block will be lifted.
9. Push the forks of the clamp keys together and push the clamp keys back in (4).
10. Release the forks.
11. Make sure that the clamp keys are inserted and locked correctly.
12. Turn the holding plates back in position (5).





---

# 6.

## Operation

---

### 6.1 Remove the stand

You can remove the stand from the jib if you want to reduce the height of the jib.

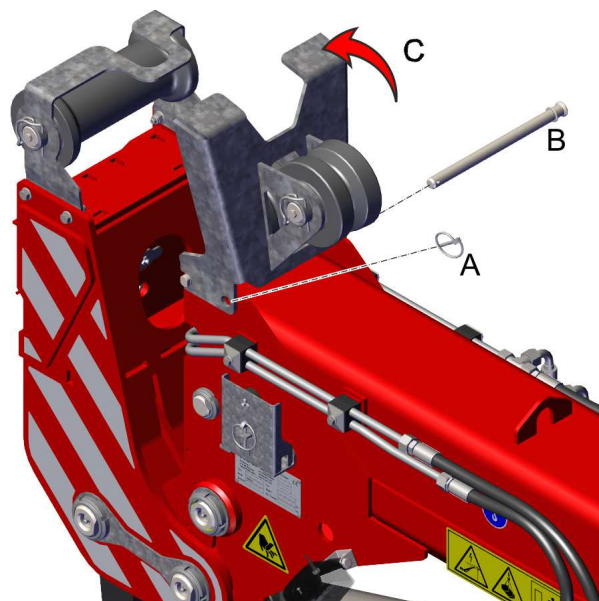


#### Note

Do not remove the stand when using the winch.

1. Remove the lynch pin (A).
2. Remove the shaft (B).
3. Turn the stand (C).
4. Remove the stand from the jib.
5. Install the shaft back into the stand.
6. Lock the shaft with the lynch pin.

Do steps 1 to 5 in the reverse order to put the winch roll back.



## 6.2 Lifting with the jib

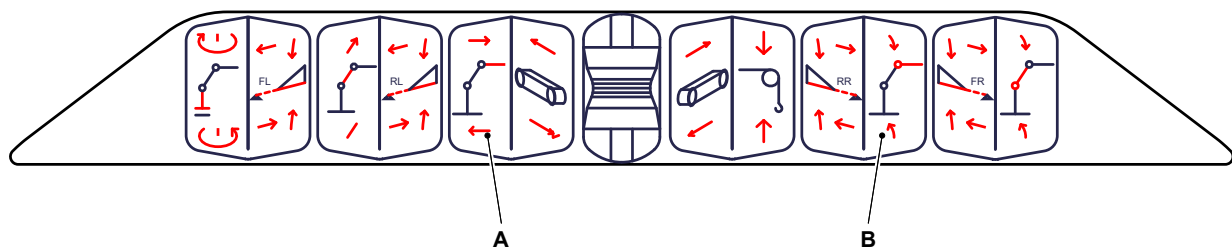
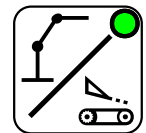
Use the jib for a lift if:

- the load is not too heavy (see Appendix),
- you need a high versatility, i.e. you need to lift:
  - over things (walls, embankments)
  - under things (ceilings, balconies, soffits)
- you need a long reach.

For more information on how to install a jib (see 5.1 Installing the jib).

### 6.2.1 Controls

Make sure that the superstructure is active (LED is ON).



- A. Extend / Retract jib,
- B. Lower / raise jib.

## 6.3 Lifting with the jib and the winch

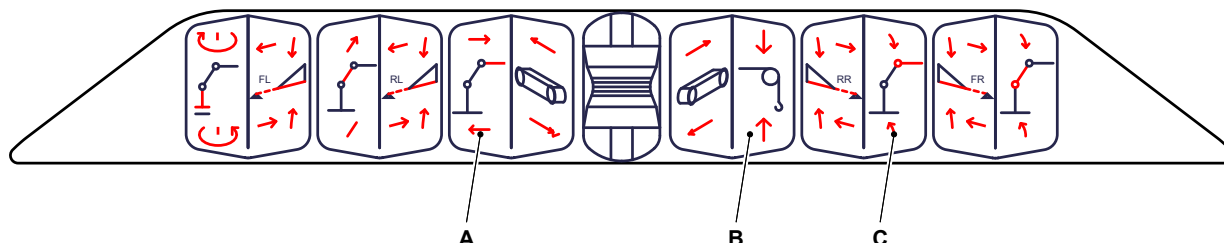
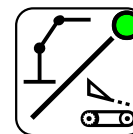
Use the winch and the jib for a lift if:

- it is a complex lift and you need to adapt your crane to the situation.
- you need to repeat the same complex lift many times.
- you need a high versatility, i.e. you need to lift:
  - over things (walls, embankments)
- you need a long reach.

The jib is protected with a winch stop. If the hook block touches the winch stop the crane will stop winching.

### 6.3.1 Controls

Make sure that the superstructure is active (LED is ON).



- A. Extend / Retract jib,
- B. Wind / unwind winch,
- C. Lower / raise jib.

More information on the remote control is given in the user manual of the compact crane.

## 6.4 Maximum angles of the jib to horizontal

The maximum angle of the Jib 5 to horizontal is limited.

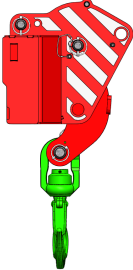
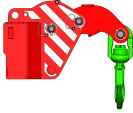


The angle of the jib is indicated on the screen of the remote control.

If the angle becomes larger than the maximum angle then the hook or the hook block will touch the jib.

### 6.4.1 Winch head in lifting adapter

	Position of the winch head	Jib range
	Variable position	-85° to +60°
	Fixed 0°	-70° to +60°
	Fixed 30°	-95° to +20°

### 6.4.2 Hook adapter in lifting adapter

	Position of the hook adapter	Jib range
	Variable position	-90° to +60°
	Fixed 0°	-90° to +60°
	Variable position 180°	-90° to +60°
	Fixed 180°	-90° to -35°

### 6.4.3 Hook in lifting adapter

	Position of the hook	Jib range
	Attached using a shackle	-90° to +30°

---

# 7.

## Maintenance

---

### 7.1 Introduction

The maintenance intervals and tasks are shown in the maintenance schedule. The lubrication points and intervals are shown in the lubrication chart.

Obey these instructions and make sure that your equipment stays in good condition.

Unusual noises or vibrations can indicate a defect in the jib. Speak to your Hoeflon dealer immediately and schedule a servicing.

Hoeflon International B.V. has maintenance contracts.

### 7.2 Maintenance work

The risk of accidents increases during maintenance, cleaning and service. Let your Hoeflon dealer do the maintenance on the jib.

The lubrication and maintenance schedules show all maintenance work and intervals. Make sure that you do the maintenance on time.

In the Netherlands, a sticker gives the date when the next inspection is necessary.

Refer to your local authorities for the rules and guidelines on the inspection of the Hoeflon Jib 5.



### 7.2.1 First use

Make sure that you do the daily inspection before using the jib for the first time .

### 7.2.2 Scheduled servicing

1. The first scheduled servicing is after 2 weeks or 50 hours of operation. Whichever comes first.
2. After that do the servicing of the jib every two weeks or every 50 hours of operation. Whichever comes first.
3. Scheduled servicing and inspections must be done by your Hoeflon dealer or Hoeflon Support B.V. .

## 7.3 Daily inspection of the jib

This is in addition to the daily inspection described in the user manual for the compact crane.

1. Clean the jib.
2. Make sure that:
  - all rotating and moving parts are not worn or damaged,
  - the safety stickers are not missing, worn or damaged,
  - there are no oil leaks,



**WARNING**

Stop work immediately if you find any hydraulic leaks. Repair a leak immediately.

Hydraulic oil under pressure can penetrate the skin.

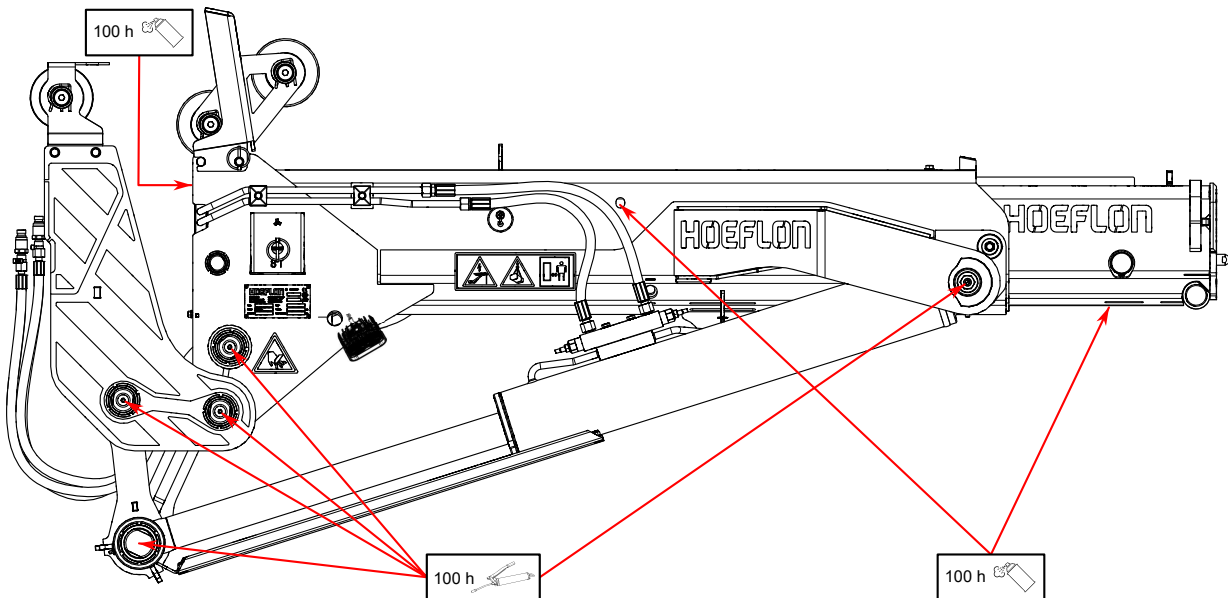
- the hoses and cables are not damaged,
  - Replace them if the inner steel core is visible.
- the lifting hook is not worn or damaged.

## 7.4 Maintenance schedule

The maintenance schedule indicates which maintenance must be done and at what interval.

Description	Action	Hours interval							
o = dealer, ● = owner		Daily	First 50	50	100	250	500	1000	4000
the jib	Clean			●					
	General inspection	●							
Safety provisions (stickers)	Inspect	●							

### 7.4.1 Lubrication chart



### 7.5 Lubricate the inside of the main section

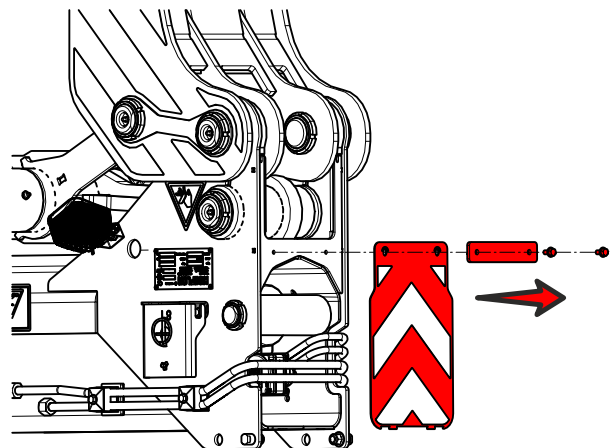
1. Move the jib into its transport position.
2. Extend the boom.



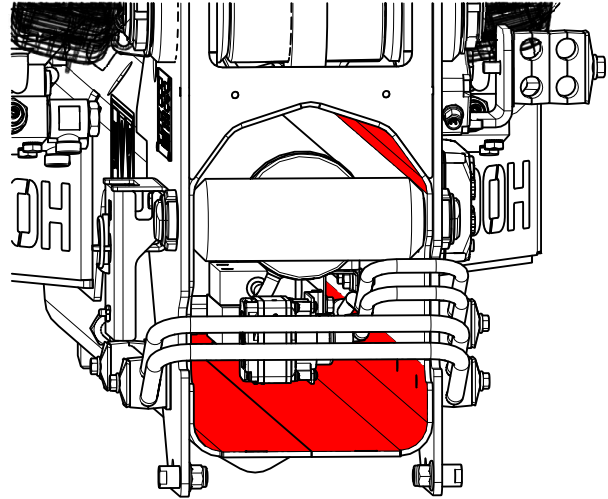
**Note**

Extend the boom until you can fully extend the jib.

3. Fully extend the jib.
4. Stop the crane and remove the key.
5. Remove the back plate of the jib.



6. Apply grease to the inside of the main section in the following places (see the red surfaces in the figure):
  - the entire top
  - the upper corners,
  - the upper half of the left and right sides.
  - the entire bottom,

**Note**

In the image the jib is upside down and connected to the boom of the crane.

The top of the section is shown at the bottom.

7. Install the back plate of the jib.
8. Start the crane.
9. Move the jib in and out.
10. Retract the jib.
11. Retract the boom.

---

# 8.

## Troubleshooting

---

### 8.1 Troubleshooting the jib

Malfunction	Possible cause	Solution
You cannot attach the jib to the boom.	The release or locking pin is dirty.	Fully clean: <ul style="list-style-type: none"><li>• the boom head on the crane,</li><li>• the quick connect on the jib.</li></ul>
The jib is not recognized by the crane.	The RFID tag is broken or missing.	Put the RFID tag back in position. Replace the RFID tag. Speak to your Hoeflon dealer.

If your problem is not listed, please speak to your Hoeflon dealer.



---

# 9.

## Transport and storage

---

### 9.1 Transporting the crane

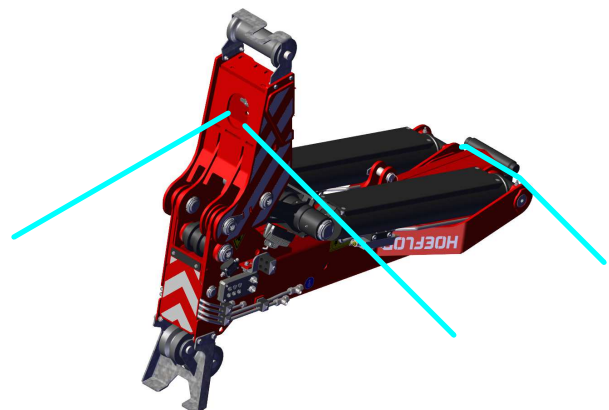
The jib can stay on the crane when you move or transport the crane.

It is not necessary to remove the lifting adapter, the hook or the winch head.

1. If the winch head is installed:
  - Make sure that it is in the low (0°) position.
2. Fully retract the jib.
3. Fully turn the jib IN.
4. Lower the boom of the crane so that it is horizontal.

### 9.2 Transporting the jib

1. Remove the jib from the crane (see 5.2 Removing the Jib)
2. Attach the jib to the pallet with lashing straps.
  - Attach two straps to the hole in the quick connect plate.
  - Put one strap over the jib section.
3. Make sure that the jib cannot:
  - slide off the pallet,
  - roll off the pallet.



## 9.3 Lifting the jib

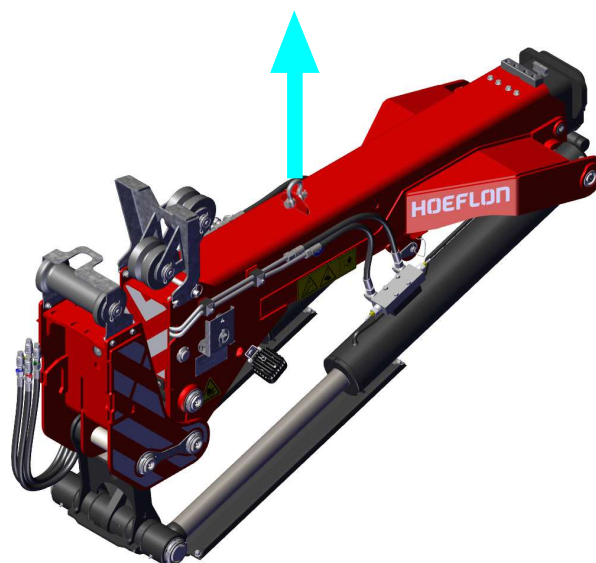


### Caution

Make sure that the crane, the hoist and the lifting slings are correctly rated.

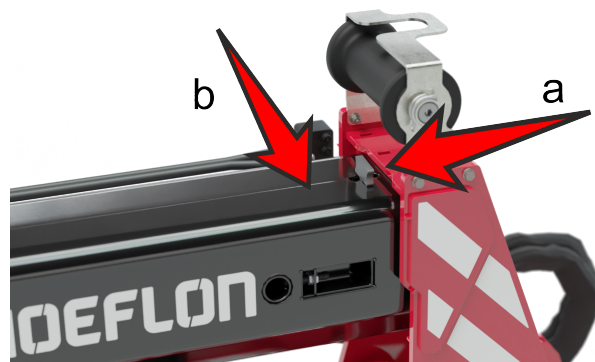
### 9.3.1 Removing the jib from the crane

1. Fully turn the jib OUT.
2. Fully retract the jib.
3. Attach a lifting sling to the lifting eye.



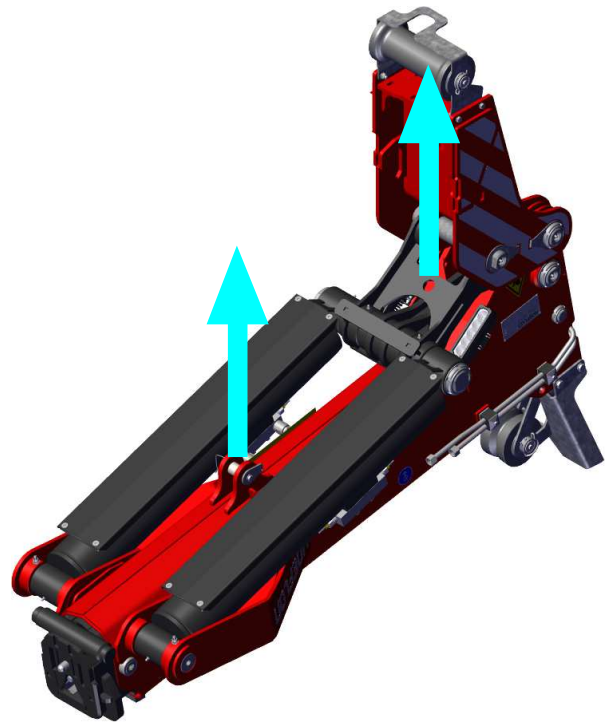
Identification of a lifting point.

4. Pull the release on the boom to the back (a).
5. Push the release to the side so that the release stays open (b).
6. Carefully lift the jib.



### 9.3.2 Lifting the jib after it is removed off the crane

1. Remove the jib off the compact crane (see 5.2 Removing the Jib).
2. Attach a lifting sling to:
  - the hoisting point between the lift cylinders,
  - the lifting eye on the hinge plate of the quick connect.



#### Note

These lifting points are not identified with a label.

3. Lift the jib.

### 9.4 Putting the jib in storage

1. Fully clean the jib.
2. Repair all damaged paintwork.
3. Apply a thin layer of grease to the parts that may rust.
4. Keep the jib in a dry and cool area with good airflow.
5. Make sure that only approved persons are permitted to enter the storage area.



---

# 10.

## Disposal

---



### Note

Refer to local regulations when you discard waste material.

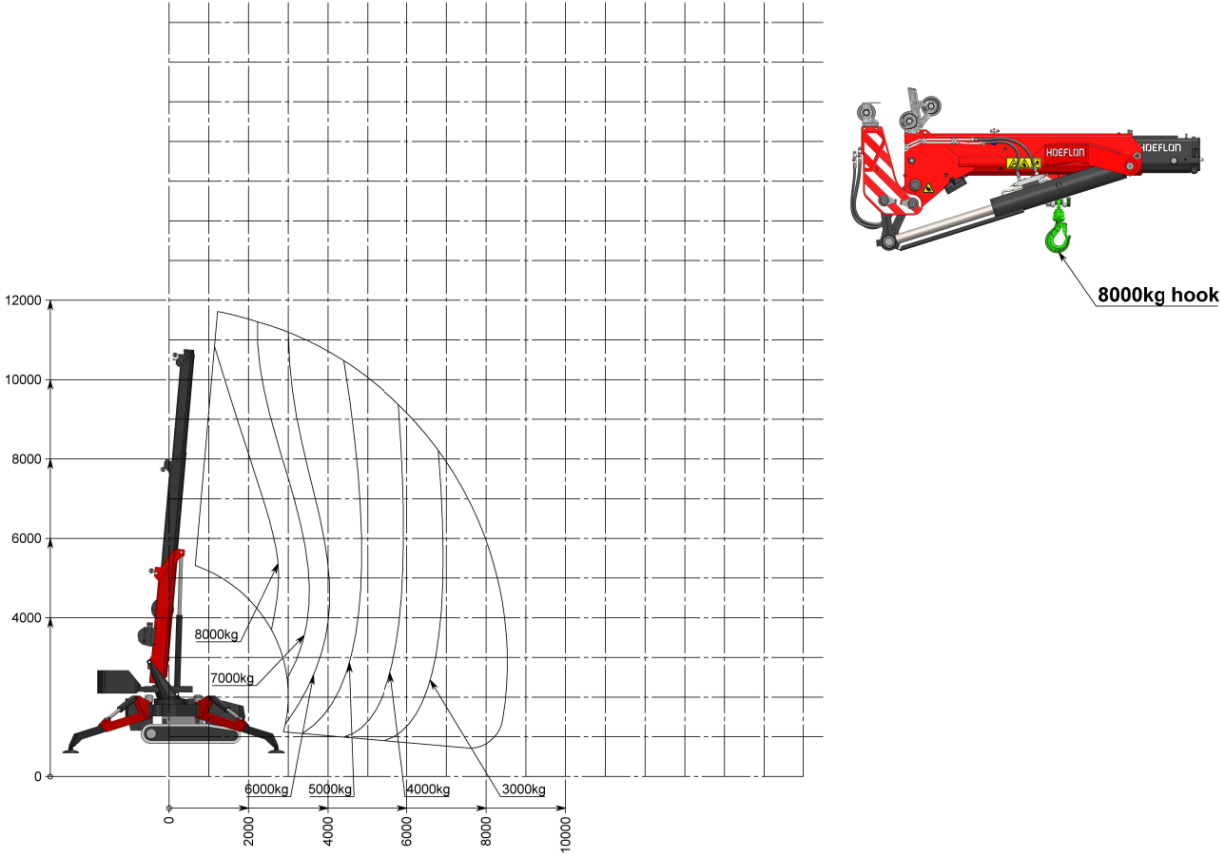
There are no dangerous, harmful or environmentally hazardous materials in the jib.

Take the jib to your local recycling station when it is no longer serviceable.



# Appendix

## 8.1 Load chart - Lifting hook on the main section



## 8.2 Load chart - Lifting hook on the hook adapter

