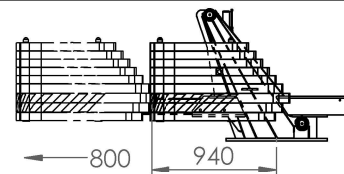
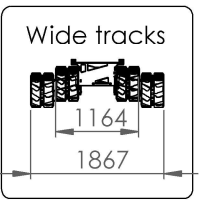
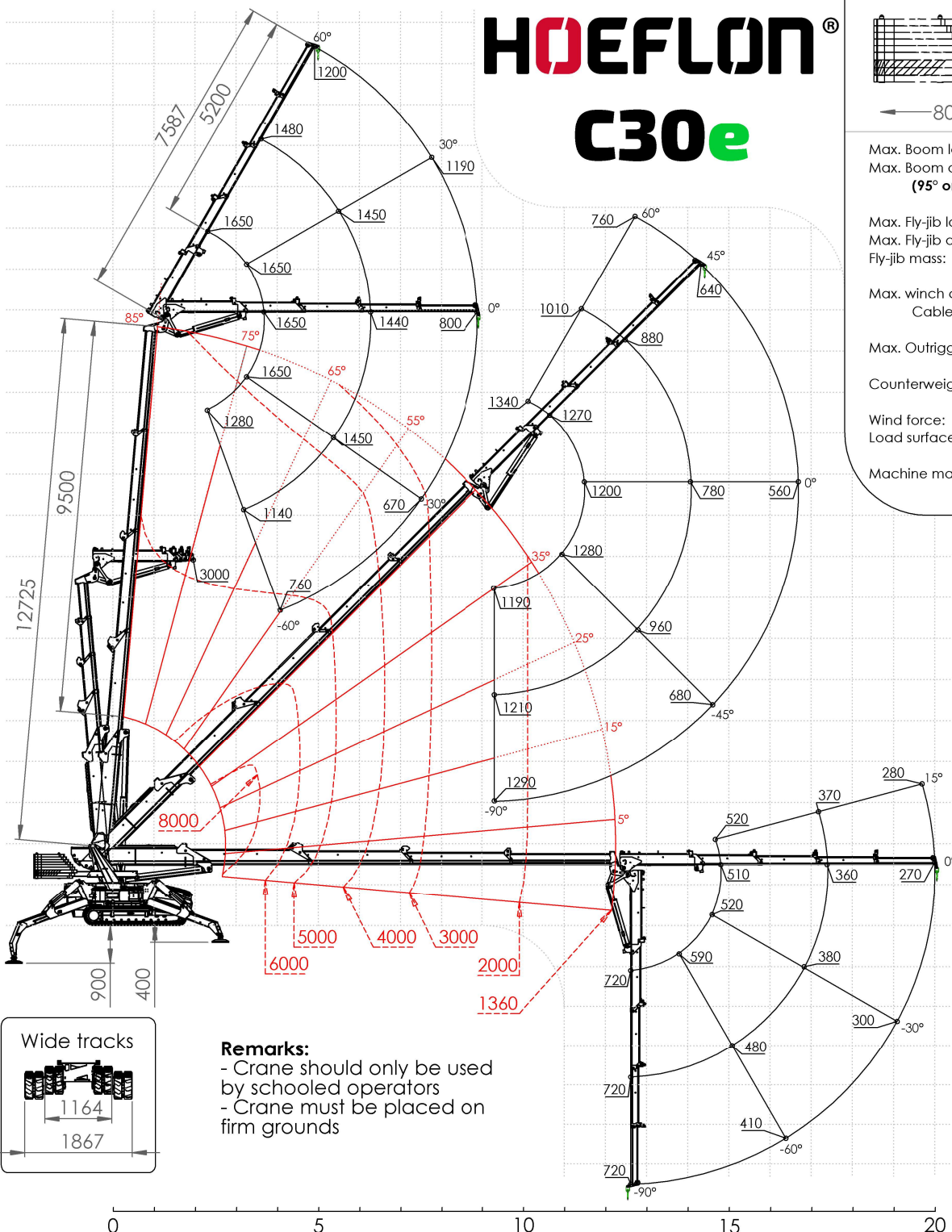
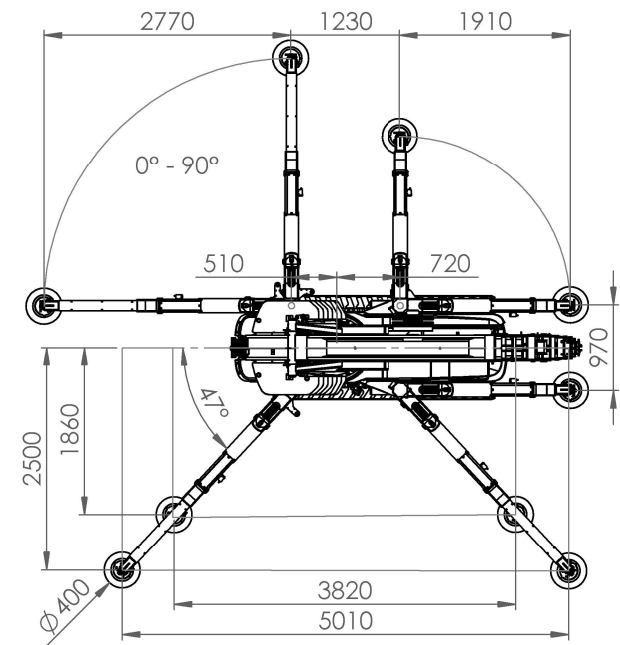


# HOEFLON®

## C30e



- Max. Boom load: 9.000 kg
- Max. Boom angle: 85°  
(95° only at boomlength <6.5 m)
- Max. Fly-jib load: 3.000 kg
- Max. Fly-jib angle: 60°
- Fly-jib mass: 570 kg
- Max. winch cable force: 1.600 kg
- Cable length: 80 m
- Max. Outrigger force: 8.900 kg
- Counterweight mass: 2.160 kg
- Wind force: 6 (40 km/h)
- Load surface: 1,2 m2/ton
- Machine mass, without Jib: 8.250 kg



**Remarks:**  
 - Crane should only be used by schooled operators  
 - Crane must be placed on firm grounds

		LOAD FLYJIB [kg]								
Boom Angle	Length	0%			50%			100%		
		0%	50%	100%	0%	50%	100%	0%	50%	100%
85°	60°	2520	2200	1410	2520	2200	1410	1650	1480	1200
	30°	3000	1990	1190	3000	1990	1190	1650	1450	1190
	0°	3000	1620	800	3000	1620	800	1650	1440	800
	-30°	1970	1450	670	1970	1450	670	1650	1450	670
	-60°	1280	1140	760	1280	1140	760	1280	1140	760
55°	60°	2520	2200	1410	2520	2200	1410	1580	1320	1130
	30°	3000	1960	1190	2710	1670	1190	1380	1050	750
	0°	3000	1660	800	2440	1470	800	1300	940	650
	-45°	1500	1230	680	1500	1230	680	1400	1110	680
	-90°	1190	1210	1290	1190	1210	1290	1190	1210	1290
45°	45°	2940	2390	1300	2740	1810	1300	1340	1010	760
	30°	3000	1950	1190	2460	1560	1130	1270	880	640
	0°	3000	1650	800	2220	1380	800	1200	780	560
	-45°	1500	1230	680	1500	1230	680	1280	960	680
	-90°	1190	1210	1290	1190	1210	1290	1190	1210	1290
25°	30°	3000	1950	1190	2000	1430	1050	880	640	490
	15°	3000	1710	1000	1910	1310	950	850	590	440
	0°	3000	1630	800	1870	1270	800	830	570	430
	-45°	1500	1230	680	1500	1230	680	890	680	530
	-90°	1190	1210	1290	1190	1210	1290	1070	1070	1070
0°	10°	3000	1660	910	1740	1260	910	520	370	280
	0°	3000	1630	800	1720	1240	800	510	360	270
	-30°	1970	1450	670	1770	1320	670	520	380	300
	-60°	1280	1140	760	1280	1140	760	590	480	410
	-90°	1190	1210	1290	1190	1210	1290	720	720	720