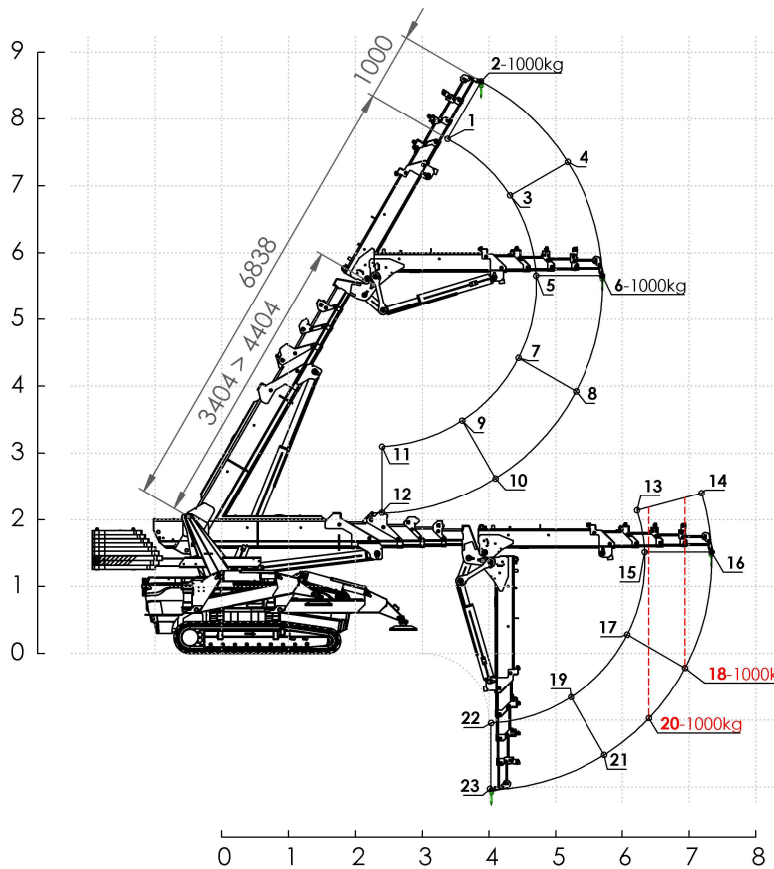
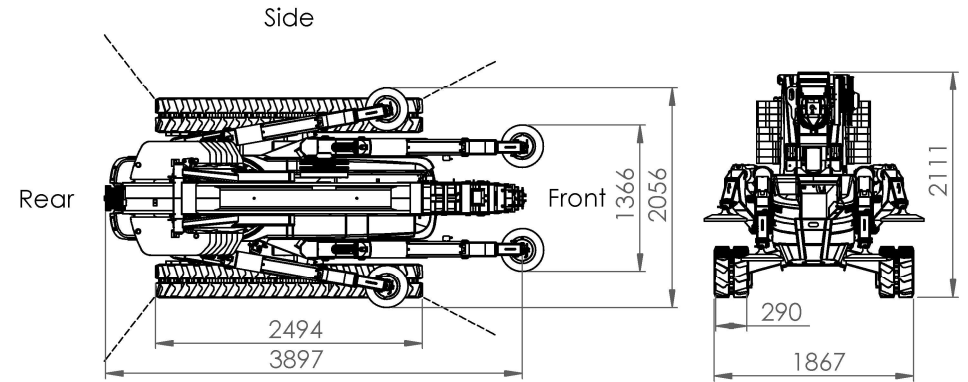


Counterweight must be present on the machine to activate PC-mode

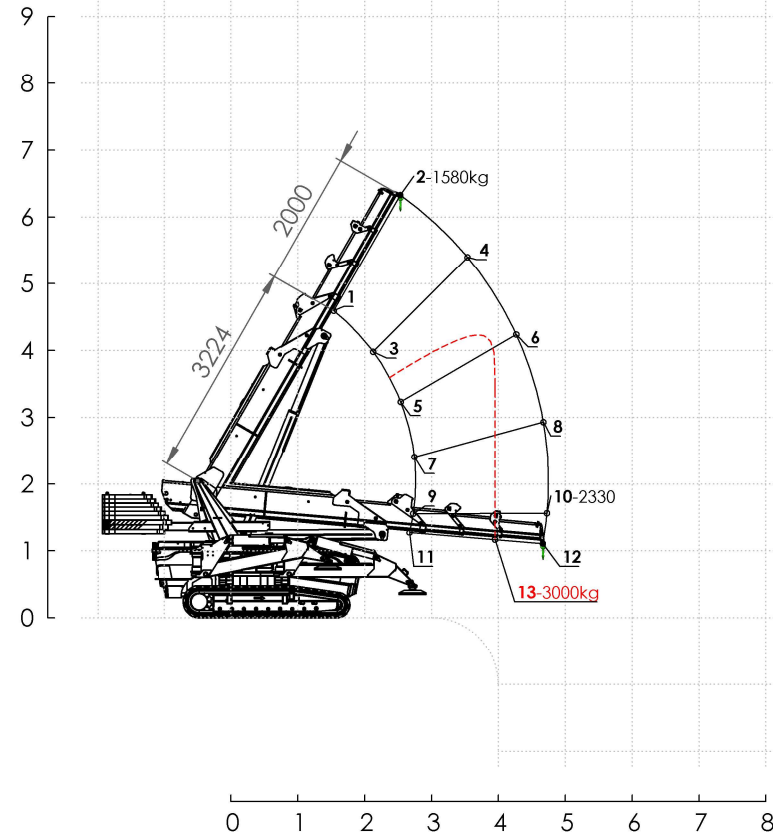
HOEFLON[®]

C30e

PC



Max load: 1000 kg
Max angle: 60°
Boom extension: 1000 mm
Jib extension: 1000 mm



Max load: 3000 kg
Max angle: 60°
Boom extension: 2000 mm